

0CNP3-M90400EN

Directions for the Parts Catalog.

- The parts stipulated in this Parts Catalog are not necessarily standard equipped parts.
- Parts may change without prior notice.
- The following is an example of the Parts Catalog format.

OCF10-G21601 29. FUEL INJECTION PUMP(W/BOOST)

REF.	LEV.	PARTS NO.	DESCRIPTION	Q'TY						I	R
				(A)	(B)	(C)	(D)	(E)	(F)		
1	1	729595-51390	FUEL INJECTION PUMP	1	1	1	1	1	1		1
1-1	1	729595-51391	FUEL INJECTION PUMP	1	1	1	1	1	1	N	1
		(A=E00185) (B=E00200)									
3	2	26022-060162	SCREW M 6X 16	9	9	9	9	9	9		
3-1	2	26022-060162	SCREW M 6X 16	4	4	4	4	4	4	K	
		(A=E00156) (B=E00156) (C=E00156) (D=E00156) (E=E00156)									
4	2	129470-51040	CAMSHAFT	1	1	1	1	1	1		
5	2	122710-51050	BEARING, ROLLER	2	2	2	2	2	2		
6	2	129470-51060	RETAINER	1	1	1	1	1	1		

Remarks

(1) BOOST COMPEMSATOR TYPE. OPTIONAL PART, TO E00155,(4JH-DT, 4JH-DTZ

① Ref. No.

The Ref. No. listed may not be in accordance with the illustration Ref. No.

(Ex.) Illustration No.

List Ref No.

1 1 (Before change) → 1-1 (After change)

For interchangeable symbols N, R and K, illustrations for new parts may be abbreviated.

② Lev. (Level)

Level indication

The numbers below indicate the level of relativity towards the main part.

1 ---- Main parts (Assembly parts)

2 ---- Sub component included in " 1 ".

3 ---- Sub component included in " 2 ".

Note) Parts that are not for sale are partially illustrated but not listed.

③ Interchangeability Mark

When a part change takes place, one of the following interchangeability symbols is indicated beside the part.

Symbol	Interchangeability	Contents note
N	Old $\begin{matrix} \leftarrow \text{Yes} \\ \text{No} \rightarrow \end{matrix}$ New	New Part is interchangeable for Old Part but Old Part is not interchangeable for New Part.
Q	Old $\begin{matrix} \leftarrow \text{No} \\ \text{Yes} \rightarrow \end{matrix}$ New	New Part is not interchangeable for Old Part but Old Part is interchangeable for New Part.
R	Old $\begin{matrix} \leftarrow \text{Yes} \\ \text{Yes} \rightarrow \end{matrix}$ New	New/ Old Parts are both interchangeable.
S	Old $\begin{matrix} \leftarrow \text{No} \\ \text{No} \rightarrow \end{matrix}$ New	New/ Old Parts are both not interchangeable.
W		Part newly added.
Z		Part discontinued.
F		Not interchangeable by a single part but interchangeable together with related parts.
K		Changes only for used parts quantities.

④ Effective Machine No.

When a part changes, the effective Machine No. will be indicated in the (A)-(F) column.

Product Symbol	Product No.	Product Symbol	Product No.
C	Clutch No. Compressor No.	F	Machine No. (Agricultural Equip.)
D	Drive No.	M	Machine No.
E	Engine No.		

Note 1) A date may follow the symbol. (Ex.) 1996.01

Note 2) "XXXXX" and "ZZZZZ" are for parts that could not be predicted or for engine models that could not be identified.

Note 3) (A=E00185) is the E (Engine Serial Number) for the column (A) model (in this case 4JH-DT) after the parts design change.

⑤ Remarks Mark

Figures or alphabets (symbols) are entered in the remarks column.

The comments (remarks) on parts that are indicated at the bottom of the illustration are the same symbols as those stated above.

PAINTING COLOR (Engine unit : L100AESEWH1)

SECTION	PAINTING COLOR	COLOR SPRAY	MAIN PARTS	COLOR CODE (FIGURE)
Engine unit	YANMAR Gold silver M	TOR-90420002	Fan case	17
Engine unit	YANMAR Red 1	TOR-90400003	Fuel tank	50

Please surely use **YANMAR** Genuine color spray any **YANMAR** agricultural machines.

Given painting color may be altered for improvement, etc. without prior notice.

PAINTING COLOR (Main body : YSRA1050EX)

SECTION	PAINTING COLOR	COLOR SPRAY	MAIN PARTS	COLOR CODE (FIGURE)
Main body	YANMAR Black	TOR-90220003	Chassis CMP	12
Main body	YANMAR White	TOR-90250002	Bonnet	14
Main body	YANMAR Red 1	TOR-90400003	Chassis CMP	50

Please surely use **YANMAR** Genuine color spray any **YANMAR** agricultural machines.

Given painting color may be altered for improvement, etc. without prior notice.

Contents

Fig. No. Fig. Name

ENGINE UNIT(L100AESE)

1. CYLINDER BLOCK
2. TOOL & LABEL
3. CYLINDER HEAD & BONNET
4. AIR CLEANER & MUFFLER
5. CRANKSHAFT,PISTON & CAMSHAFT
6. L.O PUMP
7. COOLING DEVICE
8. FUEL OIL INJECTION PUMP
9. FUEL OIL TANK & FUEL OIL LINE
10. STARTING MOTOR & DYNAMO

ENGINE RELATE SEC

11. ENGINE RELATED
12. ENGINE MOUNTING
13. ENGINE CONTROL

TRANSMISSION TRV SEC

14. TRAVEL CLUTCH
15. BELT TRANSMISSION
16. TRAVEL TRANSMISSION
17. BRAKE
18. TRANSMISSION CASE
19. AXLE CASE
20. CHANGE

Fig. No. Fig. Name

21. HST

CONTROL UNIT

22. HANDLE
23. CONTROL PANEL
24. DRIVE CLUCH LEVER
25. SNOW REMOVING CLUCH LEVER
26. SIDE CLUCH
27. MAIN CHANGE
28. BRAKE CONTROL
29. SHOOTER LEVER
30. SNOW REMOVING UNIT CONTROL

SHASSIS & CRAWLER

31. SHASSIS
32. CRAWLER

ELECTRICAL PARTS SEC

33. HARNESS,BATTERY
34. SWITCHS
35. LAMPS,STOP MOTOR
36. RELAY

FITTING PARTS UNIT

37. BONNET

Contents

Fig. No. Fig. Name

38. COVER,BONNET KEEL

Fig. No. Fig. Name

SNOW REMOVING UNIT

39. SNOW REMOVING FRAME

40. AUGER SIDE BOARD,AUGER BOTTOM

41. SHOOTER

42. DEFLECTOR

43. SHOOTER TURN

44. DEFLECTOR DRIVE

45. GEAR CASE

46. BLOWER SHAFT & AUGER SHAFT

47. AUGER & BLOWER

48. SNOW REMOVING MOUNTING

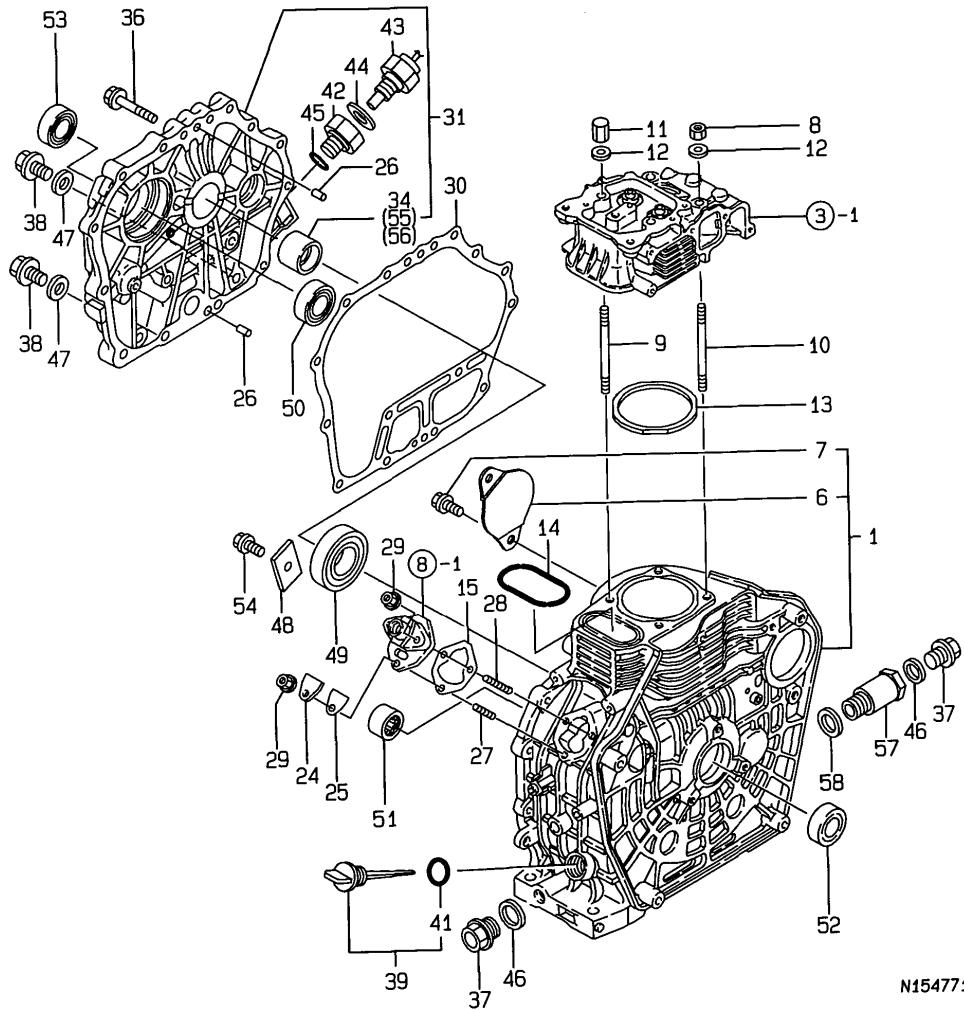
LABELS & ACCESSORIES

49. LABELS

50. LABELS(SAFETY

51. TOOLS & ACCESSORIES

Fig.1. CYLINDER BLOCK



N154771

(A)=L100AESEWH1

(B)=

(C)=

(D)=

(E)=

(F)=

No.	Lev.	Parts No.	Description	Qty						I	R
				(A)	(B)	(C)	(D)	(E)	(F)		
1	1	714970-01560	BLOCK ASSY, CYLINDER	1							
6	2	114350-01700	COVER	1							
7	2	26106-100122	BOLT, M10X 12 PLATED	2							
8	1	105025-01220	NUT, CYLINDER HEAD	2							
9	1	114650-01230	BOLT, HEAD	2							
10	1	114650-01240	BOLT, HEAD	2							
11	1	114650-01250	NUT, CYLINDER HEAD	2							
12	1	114650-01260	WASHER	4							
13	1	114970-01340	GASKET, HEAD	1							
14	1	114650-01380	O-RING	1							
15	1	114250-01800	SHIM SET	1							
24	1	114250-01830	COVER	1							
25	1	114250-01841	GASKET	1							
26	1	114270-01600	PIN, M8X12	2							
27	1	26226-060182	STUD, M6X 18	1							
28	1	26226-060222	STUD, M6X 22	2							
29	1	26366-060002	NUT, M6	3							
30	1	114650-01412	GASKET, CRANK CASE	1							
31	1	114650-01453	COVER, CRANK CASE	1							
34	2	114650-02100	BEARING, MAIN	1							1
36	1	26106-080352	BOLT, M8X 35 PLATED	16							
37	1	105425-01690	PLUG, 16	2							
38	1	105425-01690	PLUG, 16	2							
39	1	114699-01760	CAP ASSY	1							
41	2	114299-01950	O-RING, 18	1							
42	1	114652-01950	SPACER	1							
43	1	129107-44900	SENSOR	1							
44	1	124465-44950	GASKET, 16	1							
45	1	24311-000180	O-RING, 1AP18.0	1							
46	1	22190-160002	WASHER, SEAL 16	2							
47	1	22190-160002	WASHER, SEAL 16	2							
48	1	114299-02030	RETAINER, BEARING	1							
49	1	114650-02150	BEARING, HR6308G3C3	1							
50	1	24101-062070	BEARING, BALL 6207C3	1							
51	1	24162-152112	BEARING, 152112	1							
52	1	24423-355008	SEAL, OIL TC355008	1							
53	1	24423-355008	SEAL, OIL TC355008	1							
54	1	26106-080122	BOLT, M8X 12 PLATED	1							
55	1	114650-02200	BEARING, 0.25 US	1							2
56	1	114650-02210	BEARING, 0.50 US	1							3
57	1	183279-08350	NIPPLE, DRAIN	1							
58	1	22190-160002	WASHER, SEAL 16	1							

Remarks

(1) REPAIR PART.

(2) UNDER-SIZE(U.S=0.25)PART.

(3) UNDER-SIZE(U.S=0.25)PART.

(REMARKS)"EFFECTIVE MACHINE NO." OF ENGINE IS INDICATED ON THE ENGINE LABEL WHICH IS SHOWN IN FIG.7.

Fig.3. CYLINDER HEAD & BONNET

(A)=L100AESEWH1

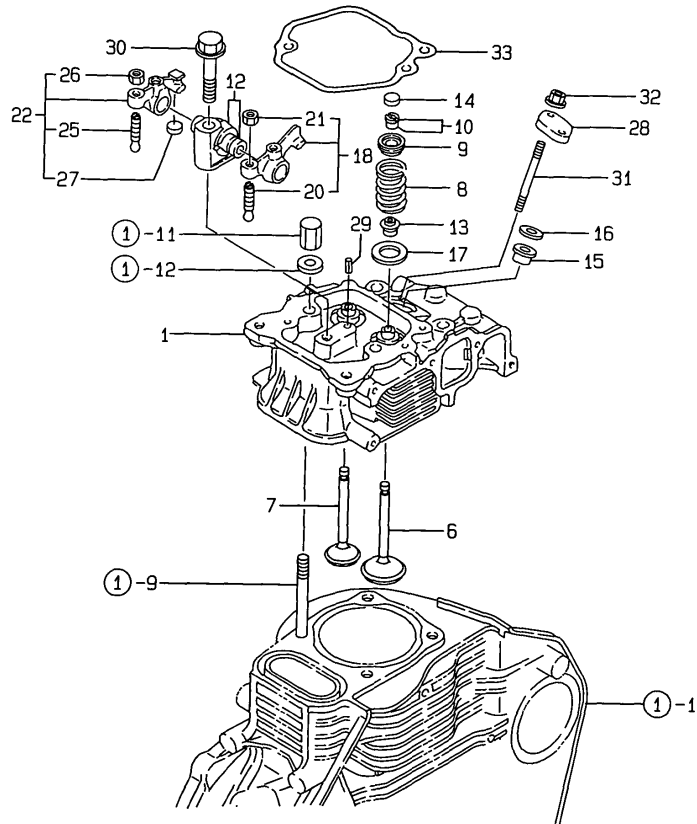
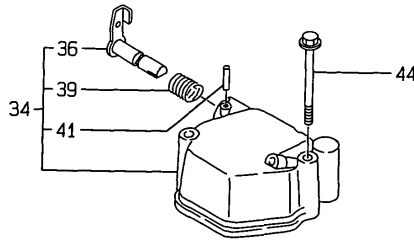
(B)=

(C)=

(D)=

(E)=

(F)=

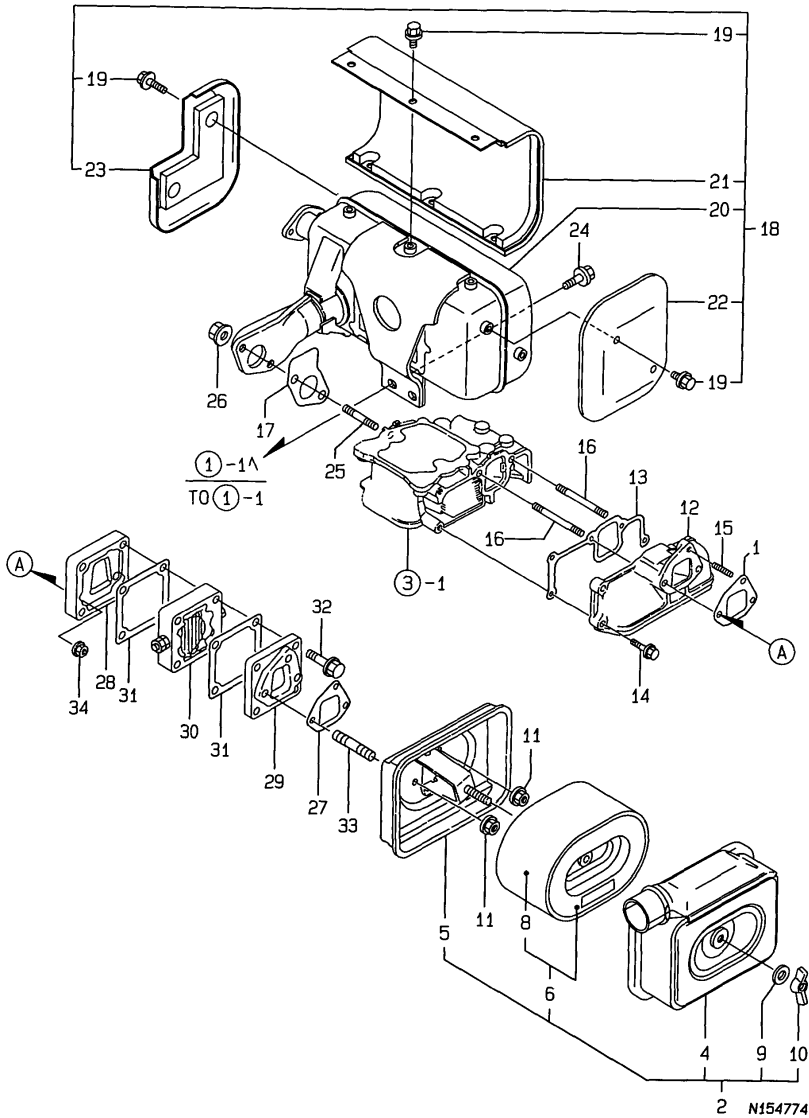


No.	Lev.	Parts No.	Description	Q'ty						I	R
				(A)	(B)	(C)	(D)	(E)	(F)		
1	1	114650-11011	HEAD ASSY, CYLINDER	1							
6	1	114650-11100	VALVE, INTAKE	1							
7	1	114654-11110	VALVE, EXHAUST	1							
8	1	114650-11121	SPRING, VALVE	2							
9	1	119620-11180	RETAINER, SPRING	2							
10	1	27310-070001	COTTER, 7	2							
12	1	114650-11261	SUPPORT, ROCKER ARM	1							
13	1	114650-11340	SEAL, VALVE STEM	2							
14	1	104211-11370	CAP, VALVE	1							
15	1	114250-11460	GASKET, NOZZLE	1							
16	1	114350-11470	SPACER, NOZZLE	1							
17	1	114650-11600	WASHER	2							
18	1	114650-11652	ARM, ROCKER	1							
20	2	114250-11240	SCREW, VALVE ADJUST	1							
21	2	26856-060002	NUT, M6	1							
22	1	714670-11660	ARM ASSY, ROCKER	1							
25	2	114250-11240	SCREW, VALVE ADJUST	1							
26	2	26856-060002	NUT, M6	1							
27	2	104211-11370	CAP, VALVE	1							
28	1	114250-11901	RETAINER, NOZZLE	1							
29	1	22351-040008	PIN, SPRING 4.0X 8	1							
30	1	26106-100552	BOLT, M10X 55 PLATED	1							
31	1	26226-060502	STUD, M6X 50	2							
32	1	26366-060002	NUT, M6	2							
33	1	114650-11311	GASKET, BONNET	1							
34	1	114650-11951	BONNET ASSY, HEAD	1							
36	2	114250-03591	LEVER ASSY	1							
39	2	114250-03640	SPRING, DECOMPRESSION	1							
41	2	22312-030160	PIN, PARALLEL M3X16	1							
44	1	26106-060702	BOLT, M6X 70 PLATED	2							

Remarks

(REMARKS)"EFFECTIVE MACHINE NO." OF ENGINE IS INDICATED ON THE ENGINE LABEL WHICH IS SHOWN IN FIG.7.

Fig.4. AIR CLEANER & MUFFLER



(A)=L100AESEWH1

(B)=

(C)=

(D)=

(E)=

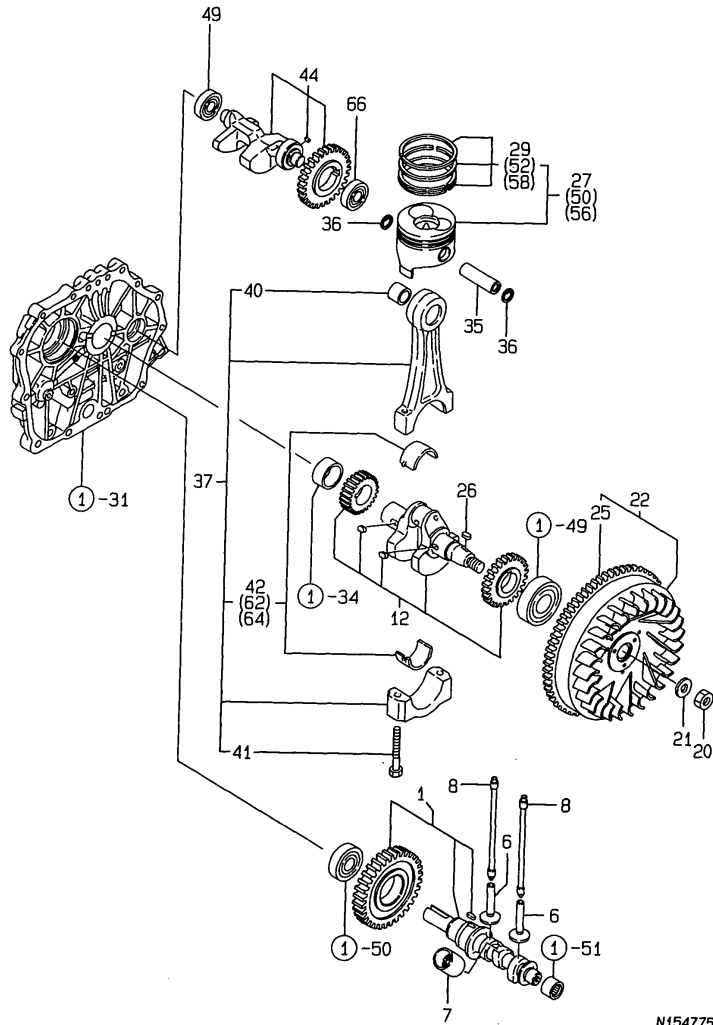
(F)=

No.	Lev.	Parts No.	Description	Q'ty						I	R
				(A)	(B)	(C)	(D)	(E)	(F)		
1	1	114650-12211	GASKET, AIR CLEANER	1							
2	1	714653-12560	CLEANER ASSY, AIR	1							
4	2	114252-12410	COVER ASSY, CLEANER	1							
5	2	114650-12530	CASE ASSY, CLEANER	1							
6	2	114650-12590	ELEMENT ASSY	1							
8	3	114650-12550	FILTER, PRE	1							
9	2	114252-12560	WASHER, SEAL M8	1							
10	2	114252-12550	NUT, WING M8	1							
11	1	114250-12300	NUT	3							
12	1	114699-12020	PIPE, AIR INTAKE	1							
13	1	114650-12301	GASKET	1							
14	1	26106-060252	BOLT, M6X 25 PLATED	3							
15	1	26226-060142	STUD, M6X 14	1							
16	1	26226-060752	STUD, M6X 75	2							
17	1	114650-13201	GASKET (NON-ASB.)	1							
18	1	114973-13552	MUFFLER ASSY	1							
19	2	160260-01580	BOLT, FLANGE M6X6	10							
20	2	114973-13562	MUFFLER	1							
21	2	183382-13700	COVER	1							
22	2	114970-13710	COVER	1							
23	2	114973-13710	COVER	1							
24	1	26106-080182	BOLT, M8X 18 PLATED	2							
25	1	26216-080182	STUD, M8X 18	2							
26	1	26306-080002	NUT, M8	2							
27	1	114650-12211	GASKET, AIR CLEANER	1							
28	1	114652-12220	SPACER	1							
29	1	114652-12230	SPACER	1							
30	1	129100-77500	HEATER, AIR 12V	1							
31	1	129100-77510	GASKET, AIR HEATER	2							
32	1	26106-080402	BOLT, M8X 40 PLATED	4							
33	1	26226-060142	STUD, M6X 14	3							
34	1	26366-060002	NUT, M6	3							

Remarks

(REMARKS)"EFFECTIVE MACHINE NO." OF ENGINE IS INDICATED ON THE ENGINE LABEL WHICH IS SHOWN IN FIG.7.

Fig.5. CRANKSHAFT,PISTON & CAMSHAFT



(A)=L100AESEWH1

(B)=

(C)=

(D)=

(E)=

(F)=

No.	Lev.	Parts No.	Description	Q'ty						I	R
				(A)	(B)	(C)	(D)	(E)	(F)		
1	1	714679-14670	CAMSHAFT ASSY	1							
6	1	114650-14200	TAPPET	2							
7	1	114771-14260	TAPPET	1							
8	1	114650-14401	ROD ASSY, PUSH	2							
12	1	714679-21710	CRANKSHAFT ASSY	1							
20	1	122710-01220	NUT, CYLINDER HEAD	1							
21	1	114650-21551	WASHER	1							
22	1	114651-21593	FLYWHEEL	1							
25	2	114651-21601	GEAR, RING	1							
26	1	22512-050140	KEY, 5X 14	1							
27	1	714970-22720	PISTON ASSY	1							
29	2	714970-22500	RING SET, PISTON	1							
35	1	114699-22300	PIN, PISTON D=23	1							
36	1	129792-22400	CIRCLIP, 23	2							
37	1	714650-23700	ROD ASSY, CONNECTING	1							
40	2	124060-23100	BEARING, PISTON PIN	1							
41	2	105300-23200	BOLT, CONNECTING ROD	2							
42	2	714650-23600	BEARING, CRANK PIN	1							
44	1	714970-28511	SHAFT ASSY, BALANCER	1							
49	1	24101-062034	BEARING, BALL 6203	1							
50	1	714970-22620	PISTON ASSY, 0.25 OS	1							1
52	2	714970-22540	RING SET, 0.25 OS	1							1
56	1	714970-22580	PISTON ASSY, 0.50 OS	1							2
58	2	714970-22550	RING SET, 0.50 OS	1							2
62	1	714650-23610	BEARING ASSY, 0.25	1							3
64	1	714650-23620	BEARING, 0.50 US	1							4
66	1	24101-063034	BEARING, BALL 6303	1							

Remarks

(1) OVER-SIZE(O.S=0.25)PART.

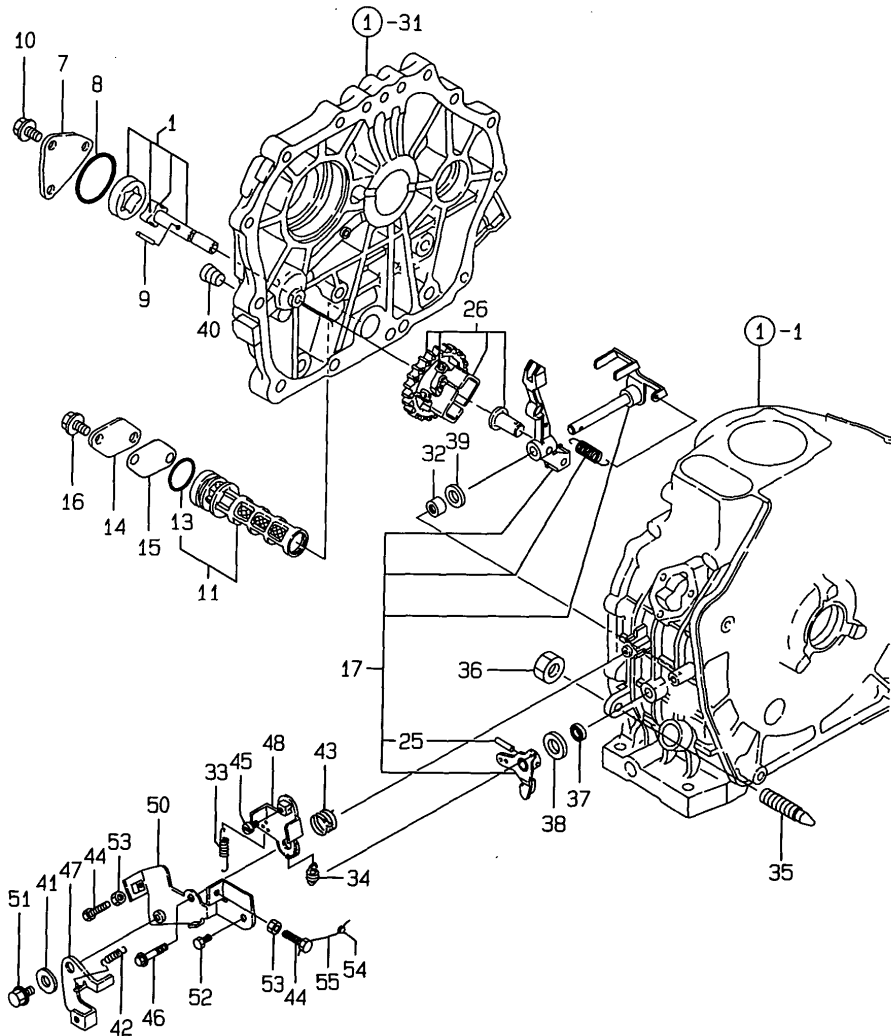
(2) OVER-SIZE(O.S=0.50)PART.

(3) UNDER-SIZE(U.S=0.25)PART.

(4) UNDER-SIZE(U.S=0.25)PART.

(REMARKS)"EFFECTIVE MACHINE NO." OF ENGINE IS INDICATED ON THE ENGINE LABEL WHICH IS SHOWN IN FIG.7.

Fig.6. L.O PUMP



N154776

Remarks
 (REMARKS)"EFFECTIVE MACHINE NO." OF
 ENGINE IS INDICATED ON THE
 ENGINE LABEL WHICH IS SHOWN
 IN FIG.7.

(A)=L100AESEWH1

(B)=

(C)=

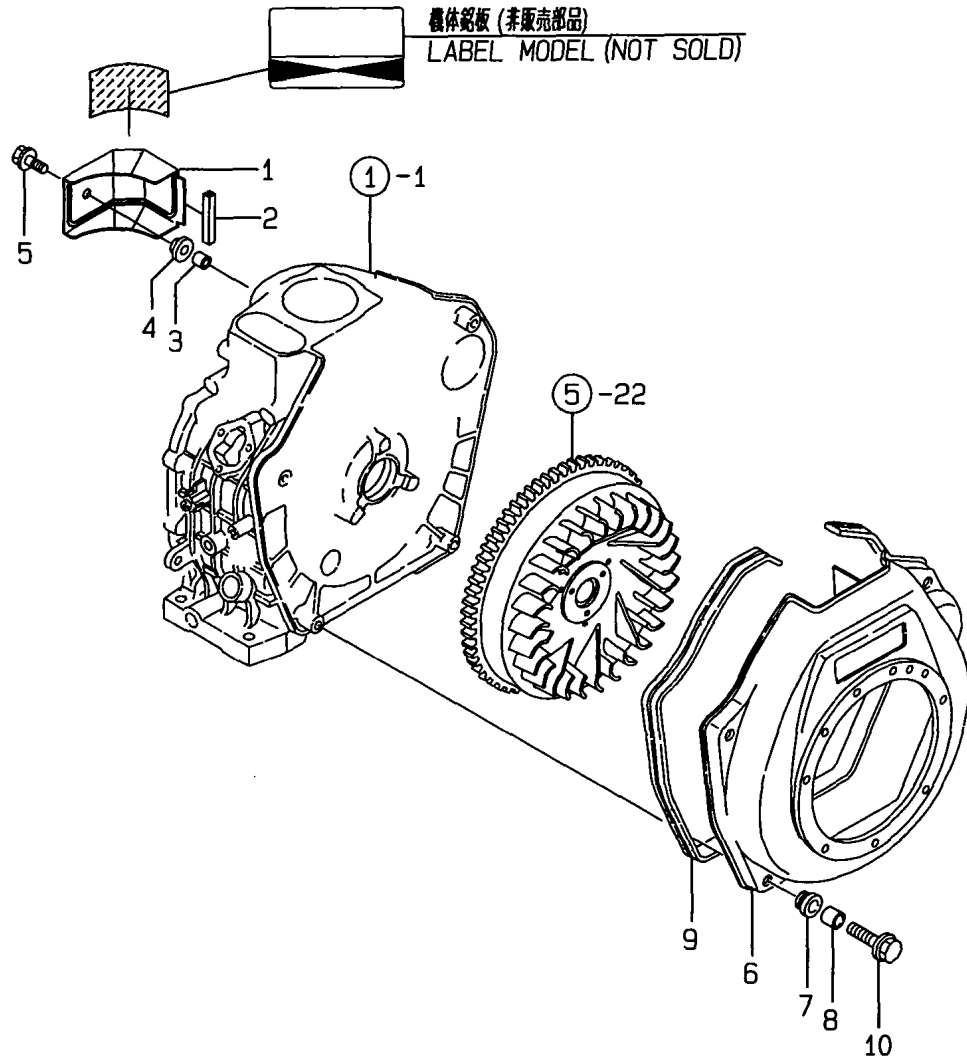
(D)=

(E)=

(F)=

No.	Lev.	Parts No.	Description	Q'ty						I	R
				(A)	(B)	(C)	(D)	(E)	(F)		
1	1	114650-32010	PUMP ASSY, OIL	1							
7	1	114250-32070	COVER	1							
8	1	103338-32570	O-RING	1							
9	1	22312-030160	PIN, PARALLEL M3X16	1							
10	1	26476-060142	SCREW, TAPPING M6X14	3							
11	1	114250-35100	FILTER ASSY, OIL	1							
13	2	24341-000224	O-RING, 1AS22.4	1							
14	1	114250-35250	COVER	1							
15	1	114250-35271	GASKET	1							
16	1	26106-060122	BOLT, M6X 12 PLATED	2							
17	1	714651-61500	LEVER ASSY, GOVERNOR	1							
25	2	22322-030200	PIN, TAPER 3X20	1							
26	1	714685-61700	GOVERNOR ASSY	1							
32	1	114770-61520	BEARING, NEEDLE	2							
33	1	114970-66020	SPRING, REGULATOR	1							
34	1	114250-66200	SPRING, RETURN	1							
35	1	114888-66560	SCREW	1							
36	1	26776-100002	NUT, LOCK M10	1							
37	1	114770-61600	SEAL, OIL	1							
38	1	114770-61610	WASHER, THRUST	1							
39	1	22137-080000	WASHER, 8	1							
40	1	23876-010000	PLUG, R01	1							
41	1	114654-66140	PIECE	1							
42	1	114268-66200	SPRING, RETURN	1							
43	1	114252-66252	SPRING, RETURN	1							
44	1	114250-66440	BOLT, ADJUSTING	2							
45	1	105225-66990	SCREW, M5X8.5	1							
46	1	26106-060302	BOLT, M6X 30 PLATED	1							
47	1	114652-66150	LEVER, STOP	1							
48	1	114973-66880	LEVER, REGULATOR	1							
50	1	114652-66891	BRACKET	1							
51	1	26106-060122	BOLT, M6X 12 PLATED	1							
52	1	26476-060142	SCREW, TAPPING M6X14	1							
53	1	26757-060002	NUT, LOCK M6	2							
54	1	135210-61090	LEAD	2							
55	1	22451-060000	WIRE, 0.6	2							

Fig.7. COOLING DEVICE



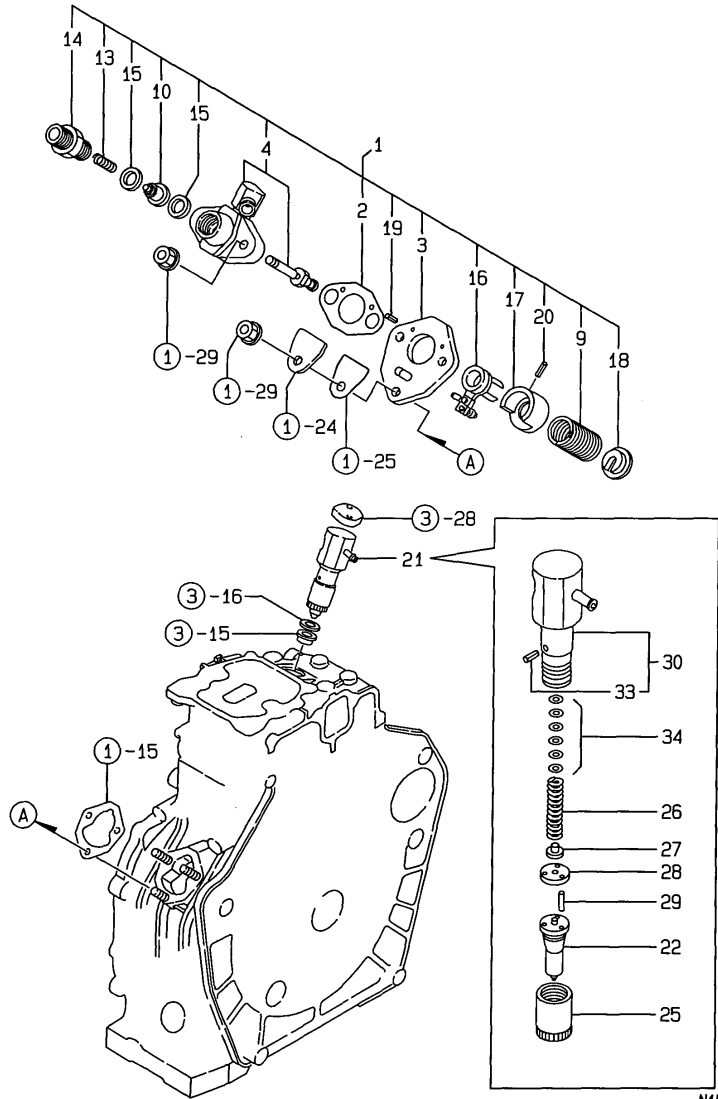
(A)=L100AESEWH1
(B)=
(C)=

(D)=
(E)=
(F)=

No.	Lev.	Parts No.	Description	Q'ty						I	R
				(A)	(B)	(C)	(D)	(E)	(F)		
1	1	114650-45201	COVER	1							
2	1	114350-45320	RUBBER, SEAL	1							
3	1	114350-45340	COLLAR	1							
4	1	183720-55210	GROMMET	1							
5	1	26106-060202	BOLT, M6X 20 PLATED	1							
6	1	114658-45102	CASE, COOLING FAN	1							
7	1	114250-45301	ABSORBER	4							
8	1	114250-45310	COLLAR	4							
9	1	114650-45330	SEAL, FAN CASE L=950	1							
10	1	114370-45351	BOLT	4							

Remarks
(REMARKS)"EFFECTIVE MACHINE NO." OF ENGINE IS INDICATED ON THE ENGINE LABEL WHICH IS SHOWN IN FIG.7.

Fig.8. FUEL OIL INJECTION PUMP



N154778

(A)=L100AESEWH1

(B)=

(C)=

(D)=

(E)=

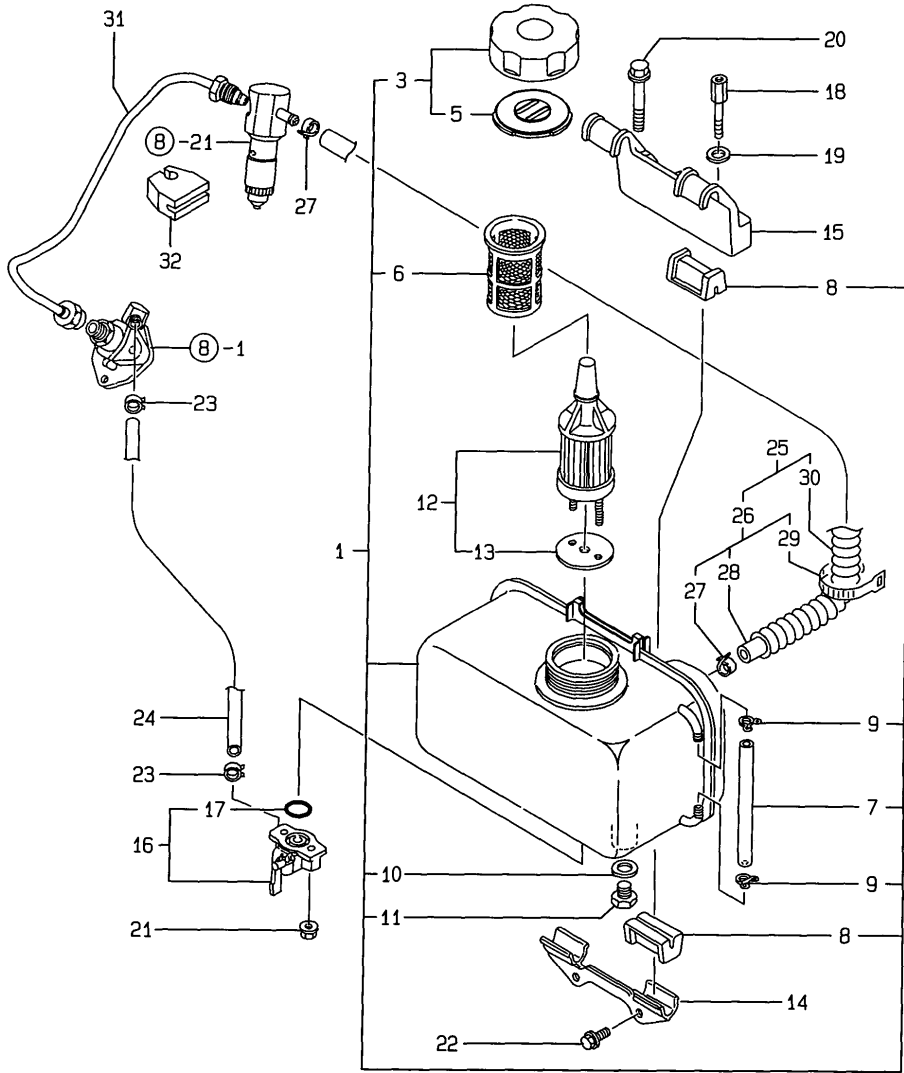
(F)=

No.	Lev.	Parts No.	Description	Q'ty						I	R
				(A)	(B)	(C)	(D)	(E)	(F)		
1	1	714970-51701	PUMP ASSY, INJECTION	1							
2	2	105546-51020	GASKET	1							
3	2	114250-51080	PLATE	1							
4	2	114970-51100	BODY ASSY, PUMP	1							
9	2	114250-51160	SPRING, PLUNGER	1							
10	2	114650-51300	VALVE ASSY, DELIVERY	1							
13	2	105546-51330	SPRING, DELIVERY	1							
14	2	114250-51340	HOLDER, DELIVERY	1							
15	2	124550-51350	GASKET, DELIVERY	2							
16	2	114250-51600	LEVER ASSY, CONTROL	1							
17	2	114250-51640	SEAT, SPRING A	1							
18	2	114250-51650	SEAT, SPRING B	1							
19	2	22351-020006	PIN, SPRING 2.0X 6	2							
20	2	22351-030008	PIN, SPRING 3.0X 8	1							
21	1	714650-53100	VALVE ASSY,INJECTION	1							
22	2	114650-53000	VALVE ASSY,INJECTION	1							
25	2	114250-53080	NUT, NOZZLE D16.95	1							
26	2	114250-53120	SPRING, NOZZLE	1							
27	2	114250-53130	SEAT, SPRING	1							
28	2	114250-53140	PLATE	1							
29	2	114250-53210	PIN	2							
30	2	114650-53300	HOLDER ASSY, NOZZLE	1							
33	3	114250-53331	PIN	1							
34	2	114250-53400	SHIM SET	1							

Remarks

(REMARKS)"EFFECTIVE MACHINE NO." OF ENGINE IS INDICATED ON THE ENGINE LABEL WHICH IS SHOWN IN FIG.7.

Fig.9. FUEL OIL TANK & FUEL OIL LINE



(A)=L100AESEWH1

(B)=

(C)=

(D)=

(E)=

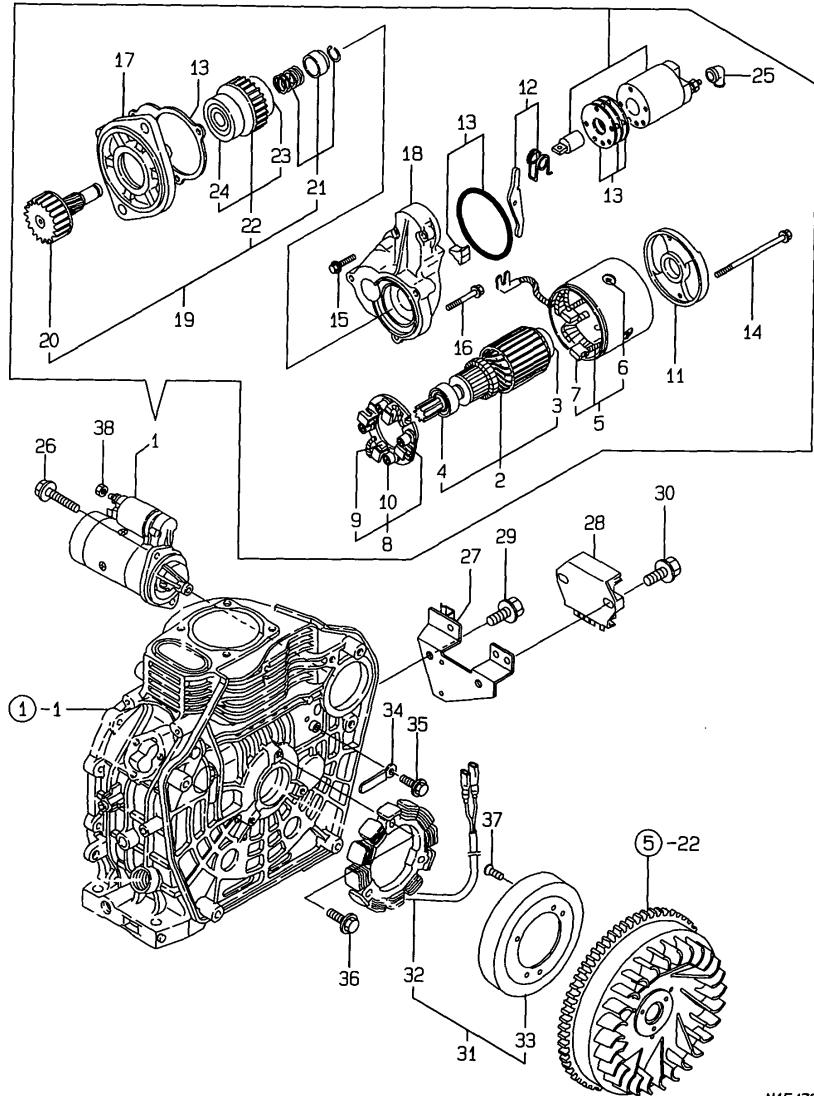
(F)=

No.	Lev.	Parts No.	Description	Q'ty						I	R
				(A)	(B)	(C)	(D)	(E)	(F)		
1	1	714650-55701	TANK ASSY, FUEL	1							
3	2	114288-55041	CAP ASSY	1							
5	3	114288-55081	VALVE	1							
6	2	114250-55100	FILTER, FUEL	1							
7	2	114650-55150	GAUGE, LEVEL	1							
8	2	114250-55201	DAMPER, FUEL TANK	4							
9	2	103854-55220	RETAINER	2							
10	2	23414-080000	GASKET, 8X1.0	1							
11	2	105300-55080	PLUG, 8	1							
12	1	114250-55121	FILTER ASSY, FUEL	1							
13	2	114250-55130	GASKET	1							
14	1	114299-55210	STAY, FUEL TANK	1							
15	1	114699-55230	STAY, FUEL TANK	1							
16	1	114250-55301	COCK ASSY, FUEL	1							
17	2	24341-000150	O-RING, 1AS15.0	1							
18	1	114650-55810	BOLT	1							
19	1	22117-080000	WASHER, 8	1							
20	1	26106-080452	BOLT, M8X 45 PLATED	1							
21	1	26366-060002	NUT, M6	2							
22	1	26476-060142	SCREW, TAPPING M6X14	2							
23	1	106990-44660	CLIP, HOSE 12.5	2							
24	1	114268-59061	PIPE, FUEL L=50	1							
25	1	114652-59300	PIPE, FUEL RETURN	1							
26	2	114652-59100	PIPE ASSY, FUEL	1							
27	3	124722-59050	CLIP, HOSE 9	2							
28	3	114650-59060	PIPE, FUEL RETURN	1							
29	3	121750-59890	BAND, 140	1							
30	2	114652-59310	TUBE, PROTECT	1							
31	1	114650-59801	PIPE ASSY, INJECTION	1							
32	1	114650-59850	SUPPORT	1							

Remarks

(REMARKS)"EFFECTIVE MACHINE NO." OF ENGINE IS INDICATED ON THE ENGINE LABEL WHICH IS SHOWN IN FIG.7.

Fig.10. STARTING MOTOR & DYNAMO



(A)=L100AESEWH1

(B)=

(C)=

(D)=

(E)=

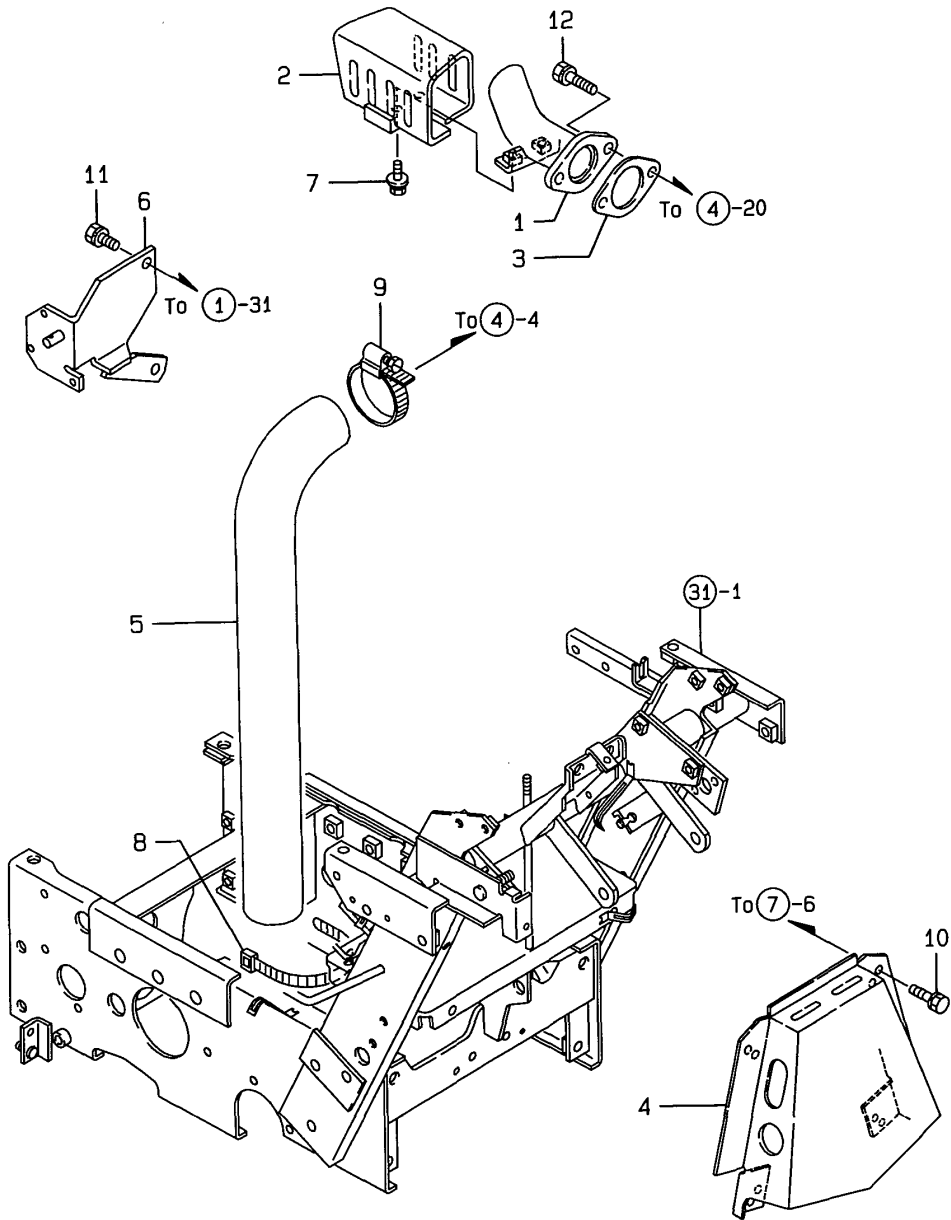
(F)=

No.	Lev.	Parts No.	Description	Qty						I	R
				(A)	(B)	(C)	(D)	(E)	(F)		
1	1	114351-77020	STARTER	1							
2	2	X211451007	ARMATURE ASSY	1							
3	3	X211415502	BEARING, BALL	1							
4	3	X211425502	BEARING, BALL	1							
5	2	X211442003	COIL ASSY, FIELD	1							
6	3	X21143215	SCREW, CORE	4							
7	3	X211469002	BRUSH (+)	2							
8	2	X211449007	HOLDER ASSY, BRUSH	1							
9	3	X211459002	BRUSH (-)	2							
10	3	X21148314	SPRING, BRUSH	4							
11	2	X211483003	COVER	1							
12	2	X211476012	LEVER	1							
13	2	114351-77570	COVER KIT	1							
14	2	X211468005	BOLT, THROUGH	2							
15	2	X21145866	BOLT	2							
16	2	X21142867	BOLT	3							
17	2	114362-77600	HOUSING ASSY, GEAR	1							
18	2	114362-77650	HOUSING, CENTER	1							
19	2	X211435552		1							
20	3	X211465008	PINION SHAFT	1							
21	3	X211429006	STOPPER SET	1							
22	3	X211425506	CLUTCH ASSY	1							
23	4	X211435502	BALL BEARING	1							
24	4	X211455502	BALL BEARING	1							
25	3	X21142742	COVER (A), RUBBER	1							
26	1	26106-100302	BOLT, M10X 30 PLATED	2							
27	1	114385-77400	BRACKET	1							
28	1	119660-77710	LIMITER, CURRENT 15A	1							
29	1	26106-060122	BOLT, M6X 12 PLATED	2							
30	1	26106-060202	BOLT, M6X 20 PLATED	2							
31	1	114351-78290	DYNAMO ASSY	1							
32	2	114351-78830	STATOR ASSY, 132.1MM	1							
33	2	114351-78840	WHEEL, DYNAMO	1							
34	1	160710-78710	CLAMP, CORD	1							
35	1	26106-060122	BOLT, M6X 12 PLATED	1							
36	1	26106-060202	BOLT, M6X 20 PLATED	3							
37	1	26577-060142	SCREW M 6X 14	3							
38	1	26716-080002	NUT, M8	1							

N154780

Remarks
 (REMARKS)"EFFECTIVE MACHINE NO." OF
 ENGINE IS INDICATED ON THE
 ENGINE LABEL WHICH IS SHOWN
 IN FIG.7.

Fig.11. ENGINE RELATED



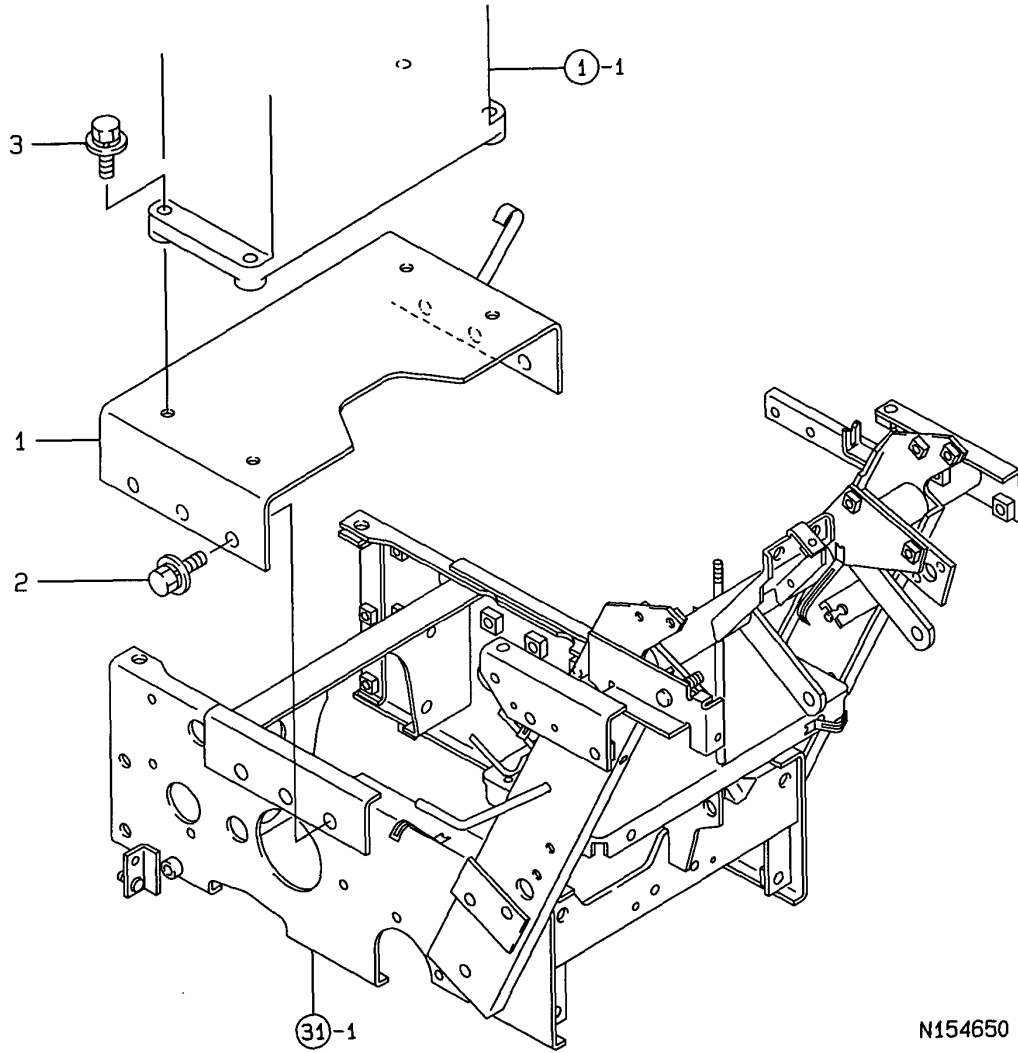
N154649

(A)=YSRA1050EX
(B)=
(C)=

(D)=
(E)=
(F)=

No.	Lev.	Parts No.	Description	Q'ty						I	R
				(A)	(B)	(C)	(D)	(E)	(F)		
1	1	1N3280-00111	PIPE COMPL., TAIL	1							
2	1	1N3280-00160	COVER, TAIL	1							
3	1	1N1730-00890	GASKET, EXH. PIPE	1							
4	1	1N3280-01510	DUCT, FAN	1							
4-1	1	1N3280-01512	DUCT, FAN	1							N
(A=FXXXXX)											
5	1	1N3280-01550	HOSE, INTAKE	1							
6	1	1N3280-02111	MOUNT, STOP MOTOR	1							
7	1	1D4160-52480	BOLT, M6X12	2							
8	1	1E6150-83910	BAND 195	1							
9	1	23000-048000	CLAMP, 48	1							
10	1	26013-060102	BOLT, M6X 10	4							
11	1	26013-080162	BOLT, M8X 16	2							
12	1	26013-080252	BOLT, M8X 25	2							

Fig.12. ENGINE MOUNTING



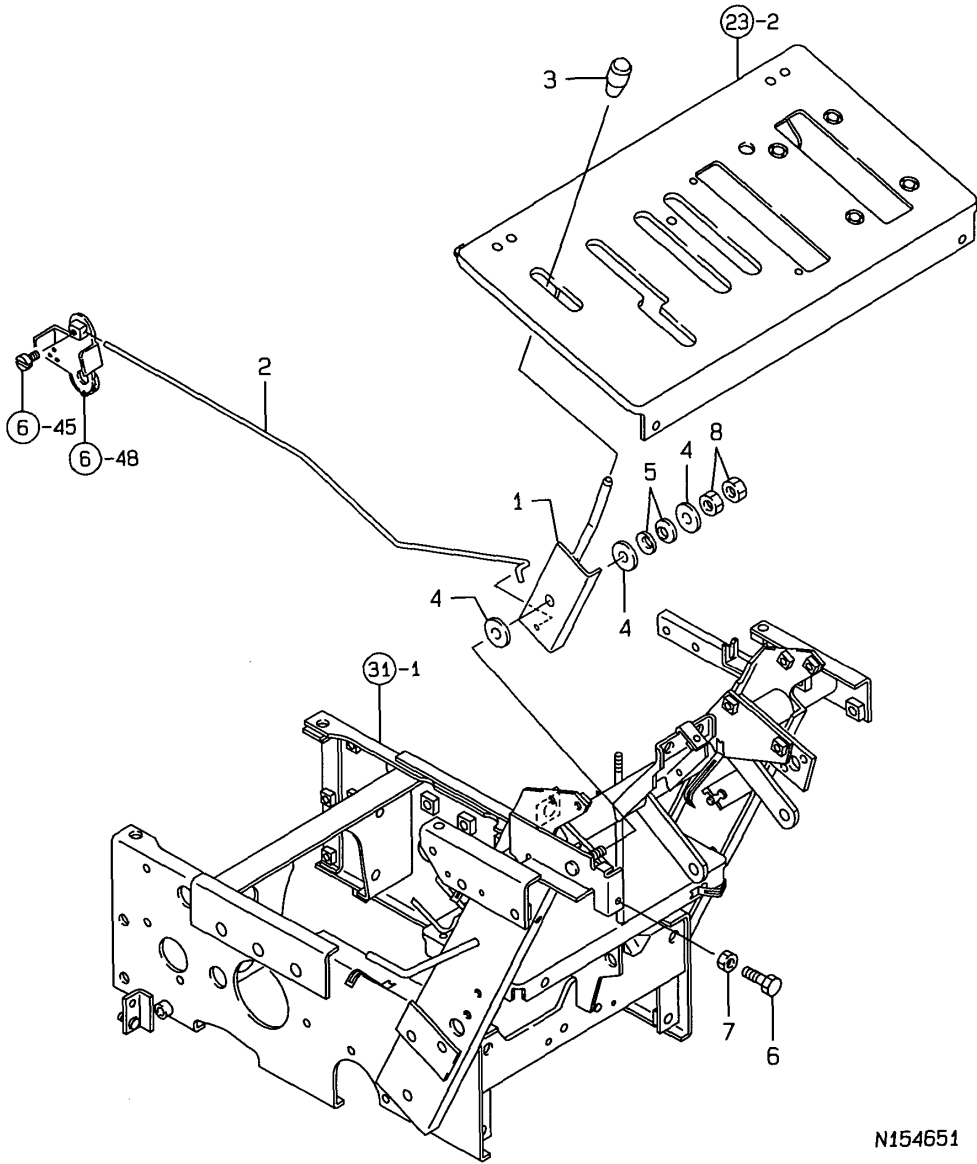
N154650

(A)=YSRA1050EX
(B)=
(C)=

(D)=
(E)=
(F)=

No.	Lev.	Parts No.	Description	Qty						I	R
				(A)	(B)	(C)	(D)	(E)	(F)		
1	1	1N3280-01113	MOUNTING METAL	1							
2	1	26014-100252	BOLT, M10X 25	6							
3	1	26014-100452	BOLT, M10X 45	4							

Fig.13. ENGINE CONTROL



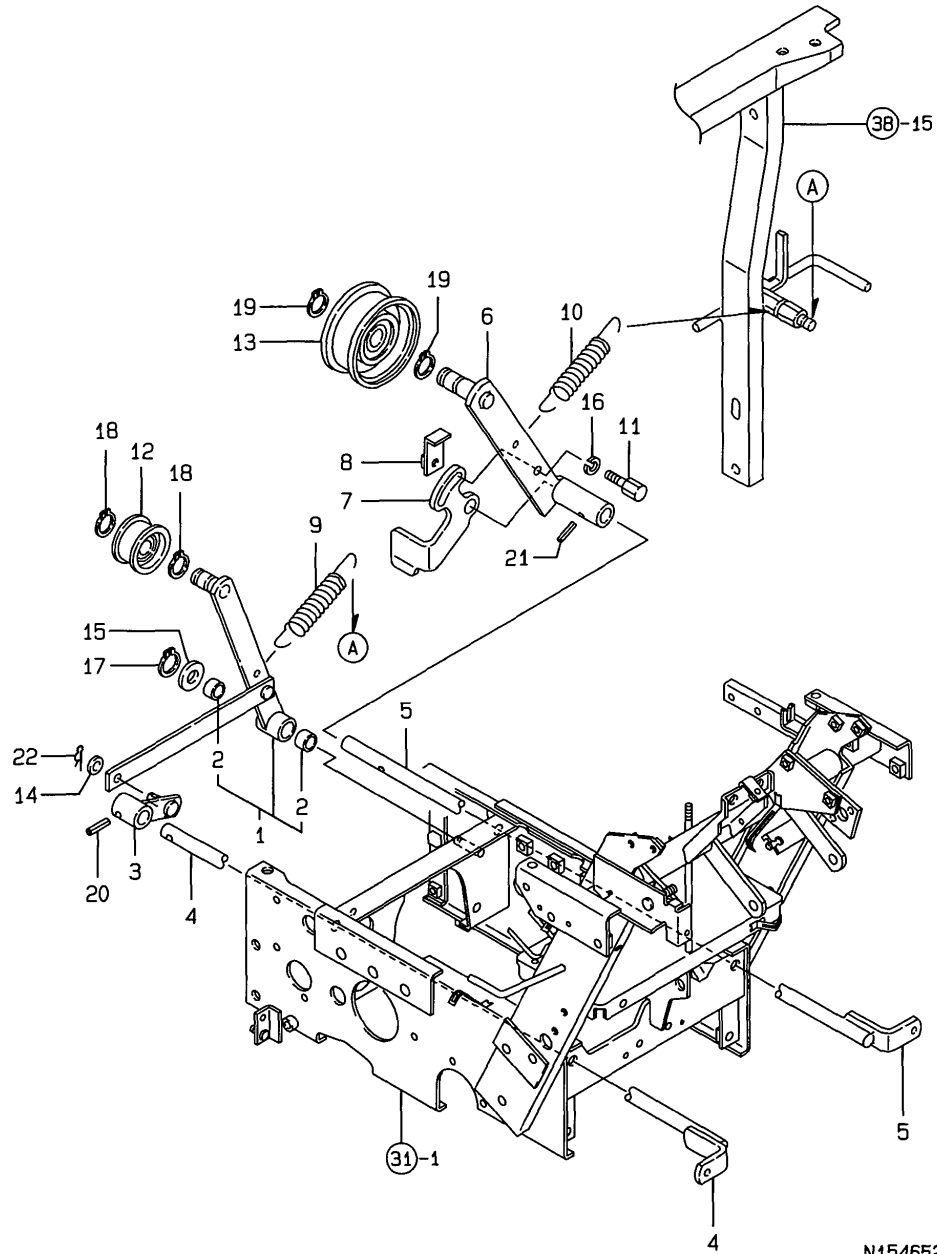
N154651

(A)=YSRA1050EX
(B)=
(C)=

(D)=
(E)=
(F)=

No.	Lev.	Parts No.	Description	Q'ty						I	R
				(A)	(B)	(C)	(D)	(E)	(F)		
1	1	1N3280-02500	LEVER, AXLE	1							
2	1	1N3280-02700	ROD, ACCELE.	1							
3	1	194550-27030	KNOB, 6.5X18X35	1							
4	1	1E6570-73201	WASHER, 10.5X28X3.2	3							
5	1	1E6390-95490	WASHER, SPRING	2							
6	1	26116-060352	BOLT, M6X 35 PLATED	1							
7	1	26717-060002	NUT, M6	1							
8	1	26717-100002	NUT, M10	2							

Fig.14. TRAVEL CLUTCH



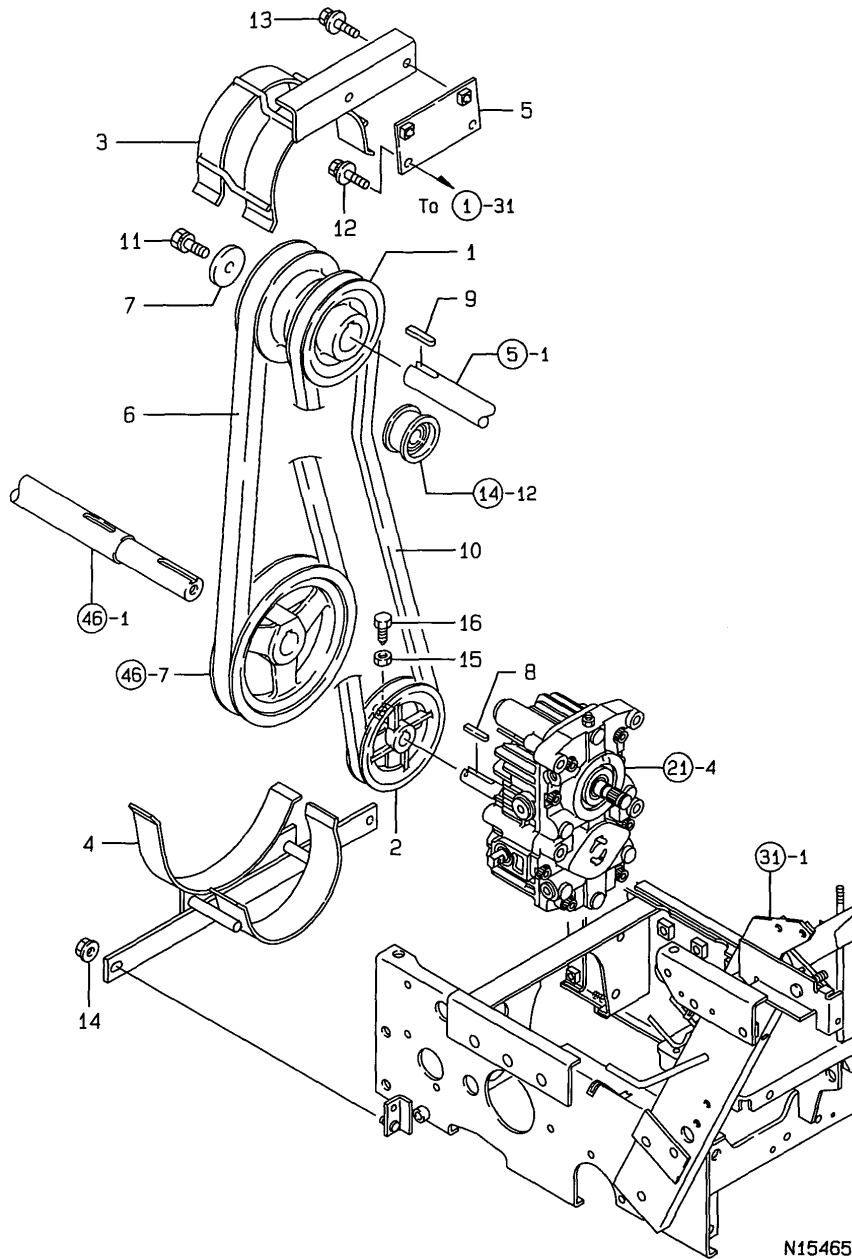
N154652

(A)=YSRA1050EX
(B)=
(C)=

(D)=
(E)=
(F)=

No.	Lev.	Parts No.	Description	Q'ty						I	R
				(A)	(B)	(C)	(D)	(E)	(F)		
1	1	1N3280-11002	ARM,TENSION	1							
2	2	24550-012100	BUSH 12X10	2							
3	1	1N3280-11100	ARM,FRONT COUPLING	1							
4	1	1N3290-11121	SHAFT L CMP.,TENSION	1							
5	1	1N3290-11221	SHAFT R CMP.,TENSION	1							
6	1	1N3280-11251	ARM,TENSION(AUGER	1							
7	1	1N3280-11351	LINK,AUGER BRAKE	1							
8	1	1N3280-11371	NUT,	1							
9	1	1N1730-31451	SPRING,BRAKE	1							
10	1	1N1730-31451	SPRING,BRAKE	1							
11	1	1E1031-41450	BOLT 8X25	1							
12	1	1E7030-51301	ROLLER ASSY, TENSION	1							
13	1	1E6150-51902	ROLLER, TENSION 80	1							
14	1	22137-080000	WASHER, 8	1							
15	1	22137-120000	WASHER, 12	1							
16	1	22217-080000	WASHER, SPRING 8	1							
17	1	22242-000120	RING, 12	1							
18	1	22242-000150	RING, 15	2							
19	1	22242-000150	RING, 15	2							
20	1	22351-050032	PIN, SPRING 5.0X32	1							
21	1	22351-050032	PIN, SPRING 5.0X32	1							
22	1	22372-080000	PIN, SNAP 8	1							

Fig.15. BELT TRANSMISSION

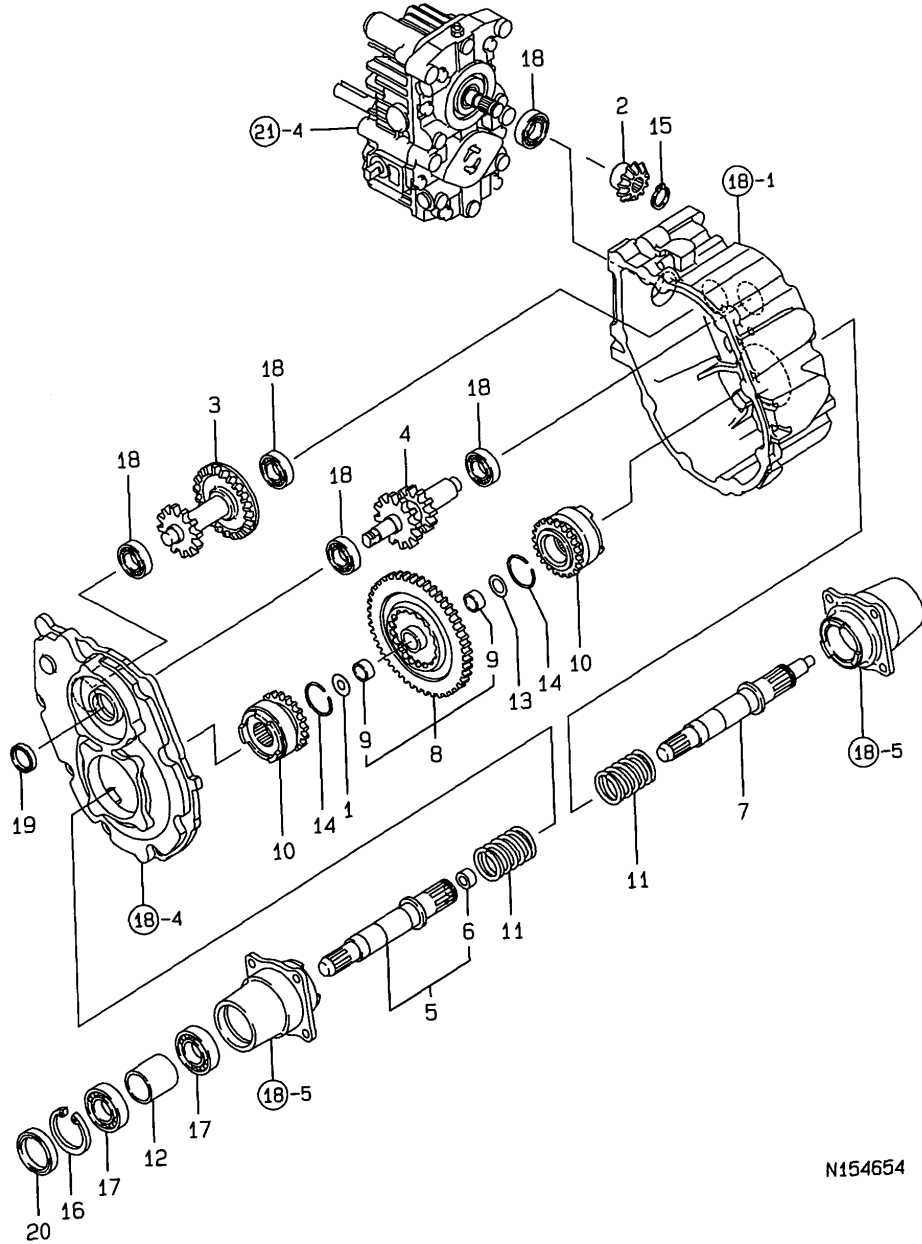


(A)=YSRA1050EX
(B)=
(C)=

(D)=
(E)=
(F)=

No.	Lev.	Parts No.	Description	Q'ty						I	R
				(A)	(B)	(C)	(D)	(E)	(F)		
1	1	1N3280-12010	PULLEY,ENGINE	1							
2	1	1N3280-12150	PULLEY	1							
3	1	1N3280-12250	RETAINER COMP.,BELT	1							
4	1	1N3290-12310	RETAINER,BELT	1							
5	1	1N3280-12380	BRACKET,BELT RETNR.	1							
6	1	1N3290-12821	V-BELT	1							
7	1	1N3280-74280	WASHER 11X42X6	1							
8	1	22551-050301	KEY 5X30	1							
9	1	22551-070350	KEY, 7X 35	1							
10	1	25123-004301	V-BELT, B43H	1							
11	1	26013-100252	BOLT, M10X 25	1							
12	1	26014-080162	BOLT, M8X 16	2							
13	1	26014-080162	BOLT, M8X 16	2							
14	1	26367-080002	NUT, M8	2							
15	1	26717-080002	NUT, M8	1							
16	1	26956-080252	BOLT, M8X 25	1							

Fig.16. TRAVEL TRANSMISSION



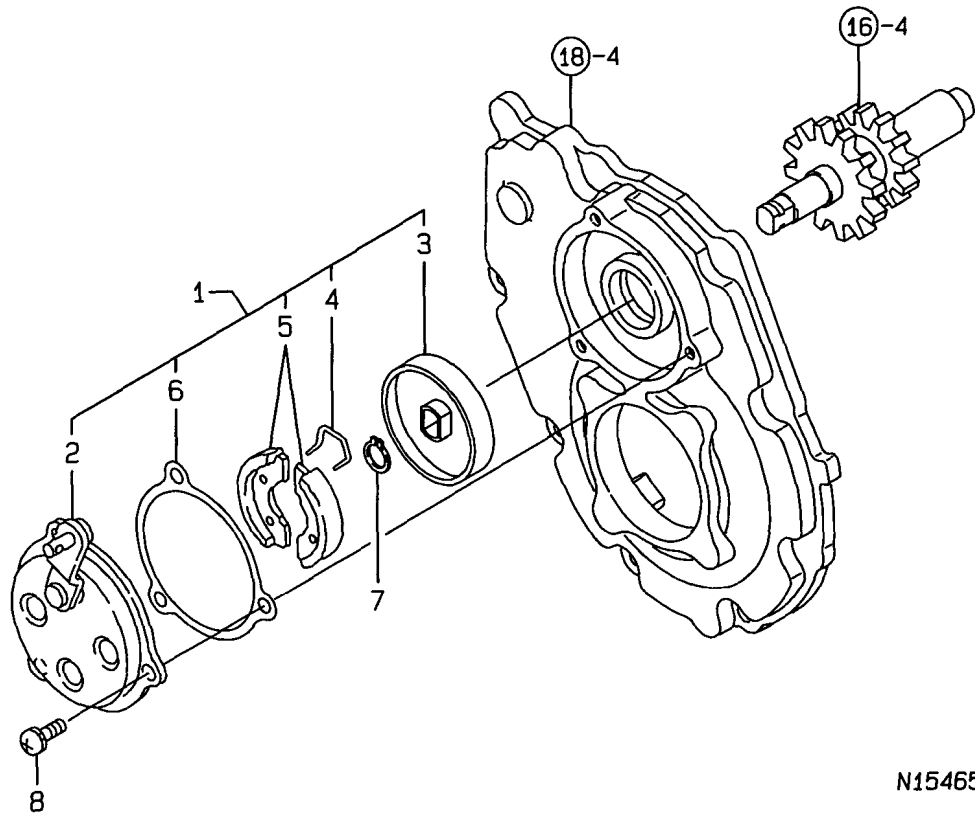
N154654

(A)=YSRA1050EX
(B)=
(C)=

(D)=
(E)=
(F)=

No.	Lev.	Parts No.	Description	Q'ty						I	R
				(A)	(B)	(C)	(D)	(E)	(F)		
1	1	1C6210-13340	COLLAR, 10X22X1	1							
2	1	1N3280-21011	GEAR 13,BEVEL	1							
3	1	1N3290-21100	SHAFT 1ST	1							
4	1	1N3290-21200	SHAFT COMPL.,2ND	1							
5	1	1N3290-21300	SHAFT 3RD	1							
6	2	24550-010120	BUSH, 10X12	1							
7	1	1N3290-21320	SHAFT 3RD	1							
8	1	1N3280-21330	GEAR 43	1							
9	2	1N1730-21260	METAL 15X17X10	2							
10	1	1N3280-21360	GEAR 20B (CLAW	2							
11	1	1N3280-21400	SPRING,SD.CLTCH.RETN	2							
12	1	1N3290-21410	COLLAR	2							
13	1	1E4130-74010	LINER 15.2X24X1	1							
14	1	22207-025230	RING, 25X2.3	2							
15	1	22242-000150	RING, 15	1							
16	1	22252-000471	RING, 47	2							
17	1	24101-060054	BEARING, BALL 6005	4							
18	1	24101-062024	BEARING, BALL 6202	5							
19	1	24421-153007	SEAL TC15 30 07, OIL	1							
20	1	24421-254708	SEAL, OIL TC254708	2							

Fig.17. BRAKE



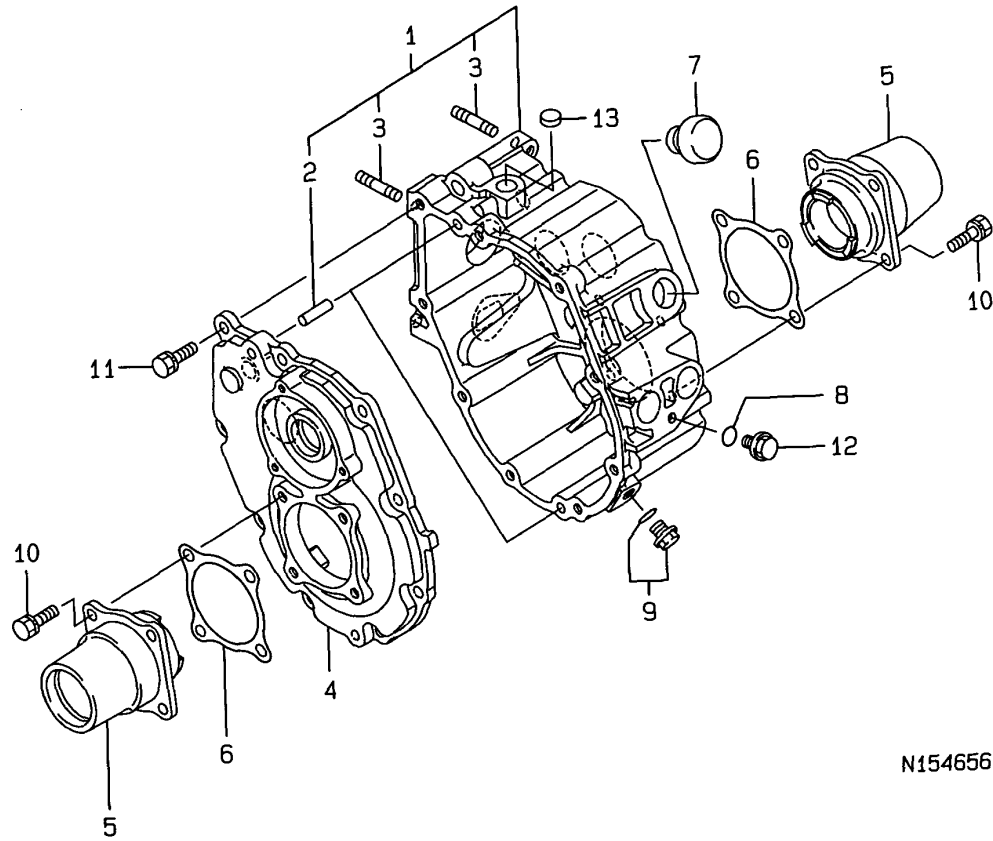
N154655

(A)=YSRA1050EX
(B)=
(C)=

(D)=
(E)=
(F)=

No.	Lev.	Parts No.	Description	Q'ty						I	R
				(A)	(B)	(C)	(D)	(E)	(F)		
1	1	1N3280-22050	COVER W/DRUM,BRAKE	1							
2	2	1N3280-22100	COVER COMP.,BRAKE	1							
3	2	1A1030-26250	DRUM, BRAKE	1							
4	2	1A1040-26290	SPRING, BRAKE SHOE	1							
5	2	1E8350-52220	SHOE,BRAKE	2							
6	2	1E8350-52270	PACKING,BRAKE COVER	1							
7	1	22242-000140	RING, 14	1							
8	1	26022-060162	SCREW, M6X16	3							

Fig.18. TRANSMISSION CASE



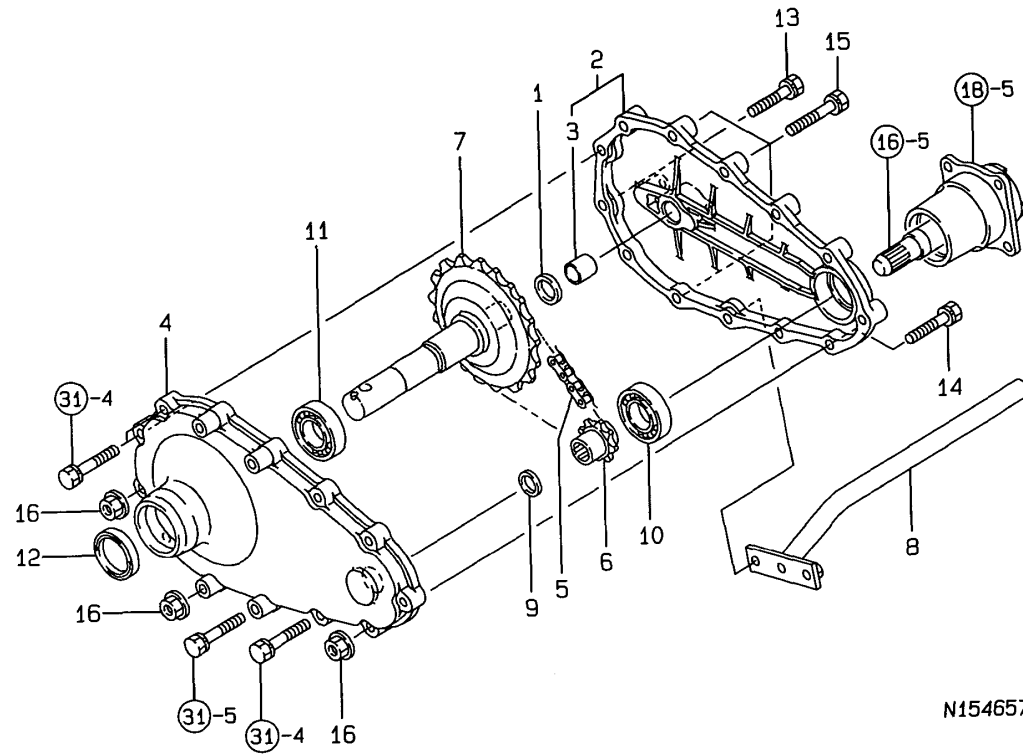
N154656

(A)=YSRA1050EX
(B)=
(C)=

(D)=
(E)=
(F)=

No.	Lev.	Parts No.	Description	Q'ty						I	R
				(A)	(B)	(C)	(D)	(E)	(F)		
1	1	1N3280-23011	HOUSING,TRANSMISSION	1							
2	2	1A1040-26060	PIN, 8X28	2							
3	2	26226-080402	STUD, M8X 40	2							
4	1	1N3280-23051	COVER,TRANSM.CASE	1							
5	1	1N3290-23211	CASE,3RD SHAFT	2							
6	1	1N3280-23220	PACKING.CASE.35HAFT	2							
7	1	1E6071-53360	COVER 35,OILING	1							
8	1	23414-080000	GASKET, 8X1.0	1							
9	1	23490-100002	PLUG, 10	1							
10	1	26013-080252	BOLT, M8X 25	8							
11	1	26013-080252	BOLT, M8X 25	9							
12	1	26106-080122	BOLT, M8X 12 PLATED	1							
13	1	27260-150000	PLUG, 15	1							

Fig.19. AXLE CASE



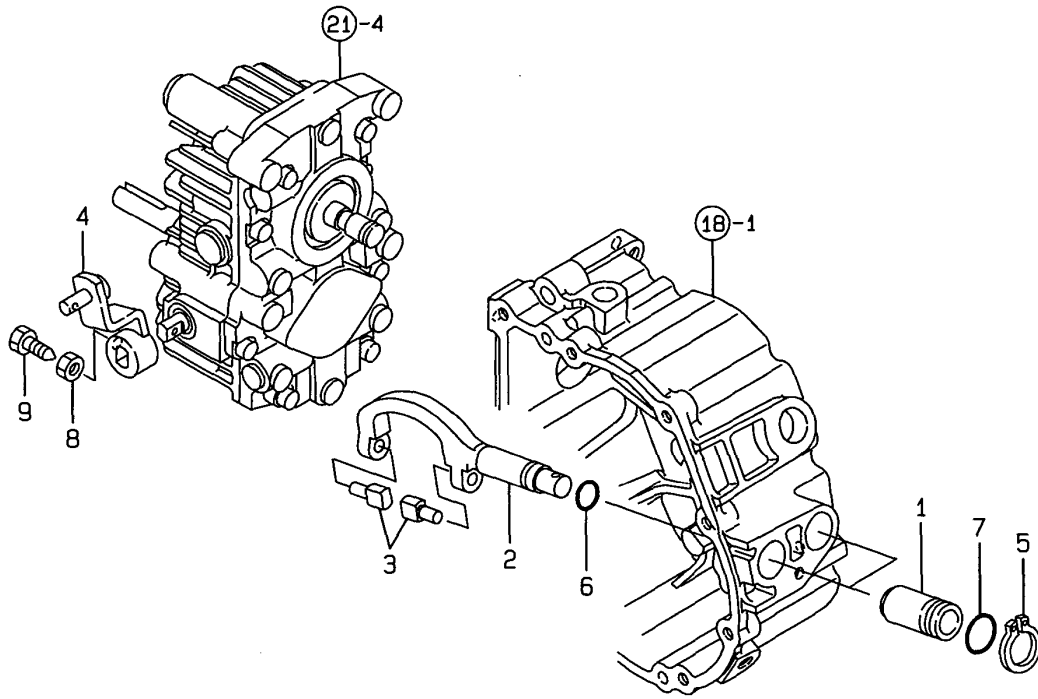
N154657

(A)=YSRA1050EX
(B)=
(C)=

(D)=
(E)=
(F)=

No.	Lev.	Parts No.	Description	Q'ty						I	R
				(A)	(B)	(C)	(D)	(E)	(F)		
1	1	192010-24160	LINER, SHAFT 20	2							
2	1	1N3280-25000	COVER COMP.,AXLE CS.	2							
3	2	24550-020200	BUSH, 20X20	2							
4	1	1N1730-25112	CASE,AXLE	2							
5	1	1N3280-25120	CHAIN 40X52L	2							
6	1	1N1730-25210	SPROCKET 9	2							
7	1	1N1730-25540	AXLE COMPL.	2							
8	1	1N3290-25810	PIPE,CONNECTING	1							
9	1	1E4060-74090	LINER 17X24X1	2							
10	1	24104-062044	BEARING, BALL 6204UU	2							
11	1	24104-062054	BEARING, BALL 6205UU	2							
12	1	24421-254708	SEAL, OIL TC254708	2							
13	1	26013-080402	BOLT, M8X 40	2							
14	1	26013-080502	BOLT, M8X 50	4							
15	1	26013-080602	BOLT, M8X 60	6							
16	1	26367-080002	NUT, M8	12							

Fig.20. CHANGE



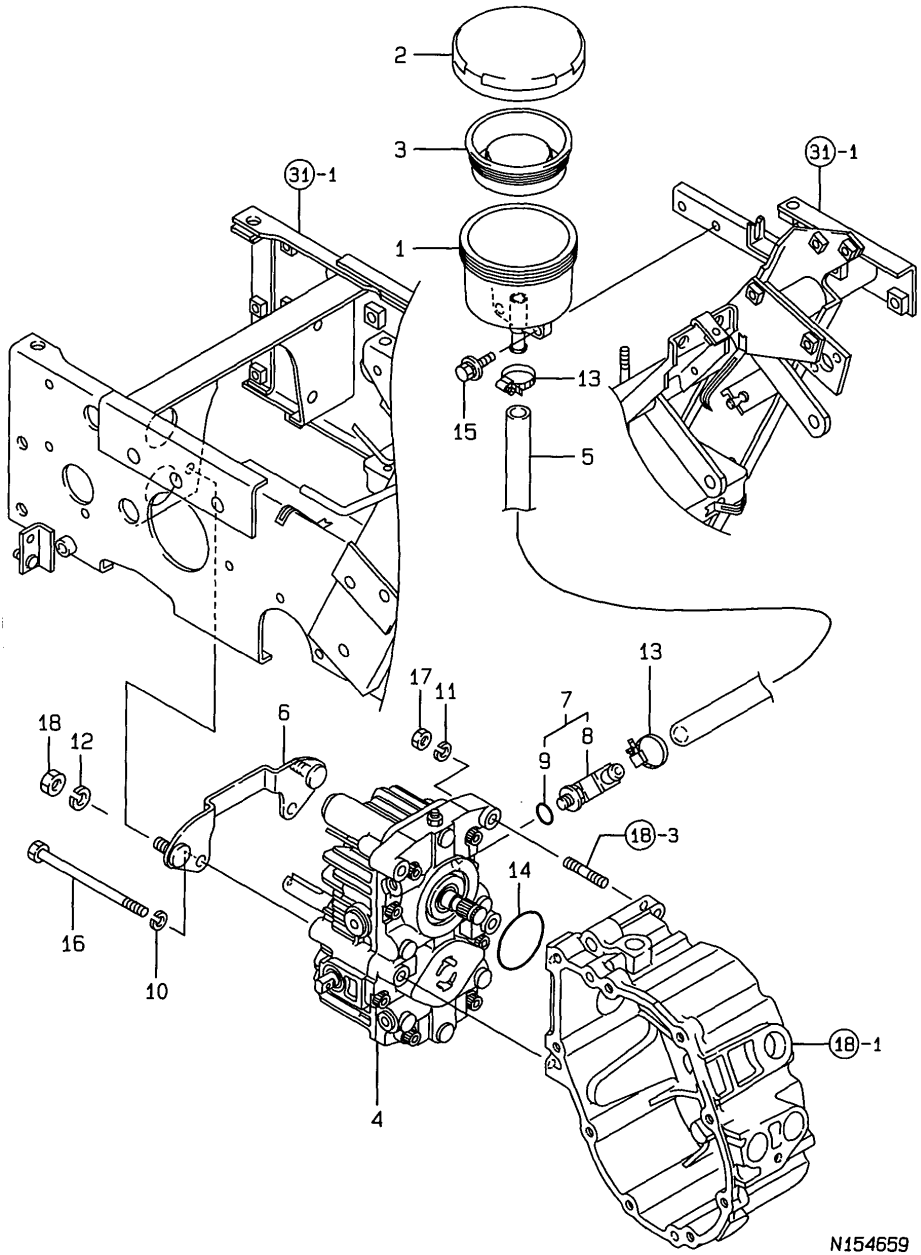
N15465B

(A)=YSRA1050EX
(B)=
(C)=

(D)=
(E)=
(F)=

No.	Lev.	Parts No.	Description	Q'ty						I	R
				(A)	(B)	(C)	(D)	(E)	(F)		
1	1	1N3280-26200	BUSH, SIDE CLUTCH	2							
2	1	1N3280-26220	FORK, CLUTCH	2							
3	1	1N3280-26230	ROLLER, FORK	4							
4	1	1N3280-26301	LVER. TIP. CHANGE. MAIN	1							
5	1	22242-000250	RING, 25	2							
6	1	24311-000120	O-RING, 1AP12.0	2							
7	1	24311-000210	O-RING, 1AP21.0	2							
8	1	26717-080002	NUT, M8	1							
9	1	26956-080202	BOLT, M8X 20	1							

Fig.21. HST



N154659

(A)=YSRA1050EX

(B)=

(C)=

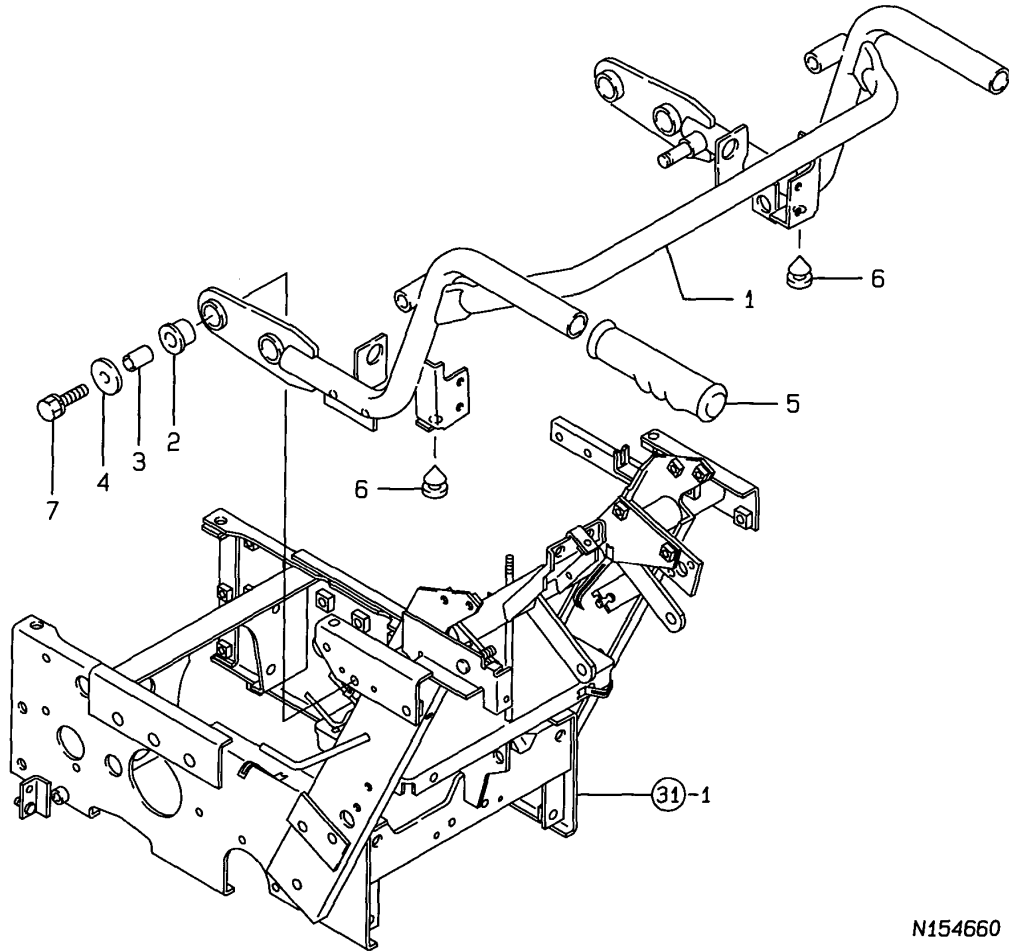
(D)=

(E)=

(F)=

No.	Lev.	Parts No.	Description	Qty						I	R
				(A)	(B)	(C)	(D)	(E)	(F)		
1	1	1N3021-23051	SUB TANK	1							
2	1	1N3021-23060	CAP, SUB-TANK	1							
3	1	1N3021-23070	DIAPHRAGM,SUB-TANK	1							
4	1	1N3280-28010	TRANSMISSION,HYDROST	1							
5	1	1N3280-28030	HOSE 8-555	1							
6	1	1N3280-28510	BRACKET(HST	1							
7	1	1E8490-54060	NIPPLE ASSY, HOSE B	1							
8	2	1E8490-54070	NIPPLE, HOSE B	1							
9	2	933152-07400	O-RING	1							
10	1	22217-080000	WASHER, SPRING 8	2							
11	1	22217-080000	WASHER, SPRING 8	2							
12	1	22217-100000	WASHER, SPRING 10	2							
13	1	23000-025000	CLAMP, 25	2							
14	1	24321-000550	O-RING, 1AG55.0	1							
15	1	26014-080202	BOLT, M8X 20	2							
16	1	26116-081202	BOLT, M8X120 PLATED	2							
17	1	26717-080002	NUT, M8	2							
18	1	26717-100002	NUT, M10	2							

Fig.22. HANDLE



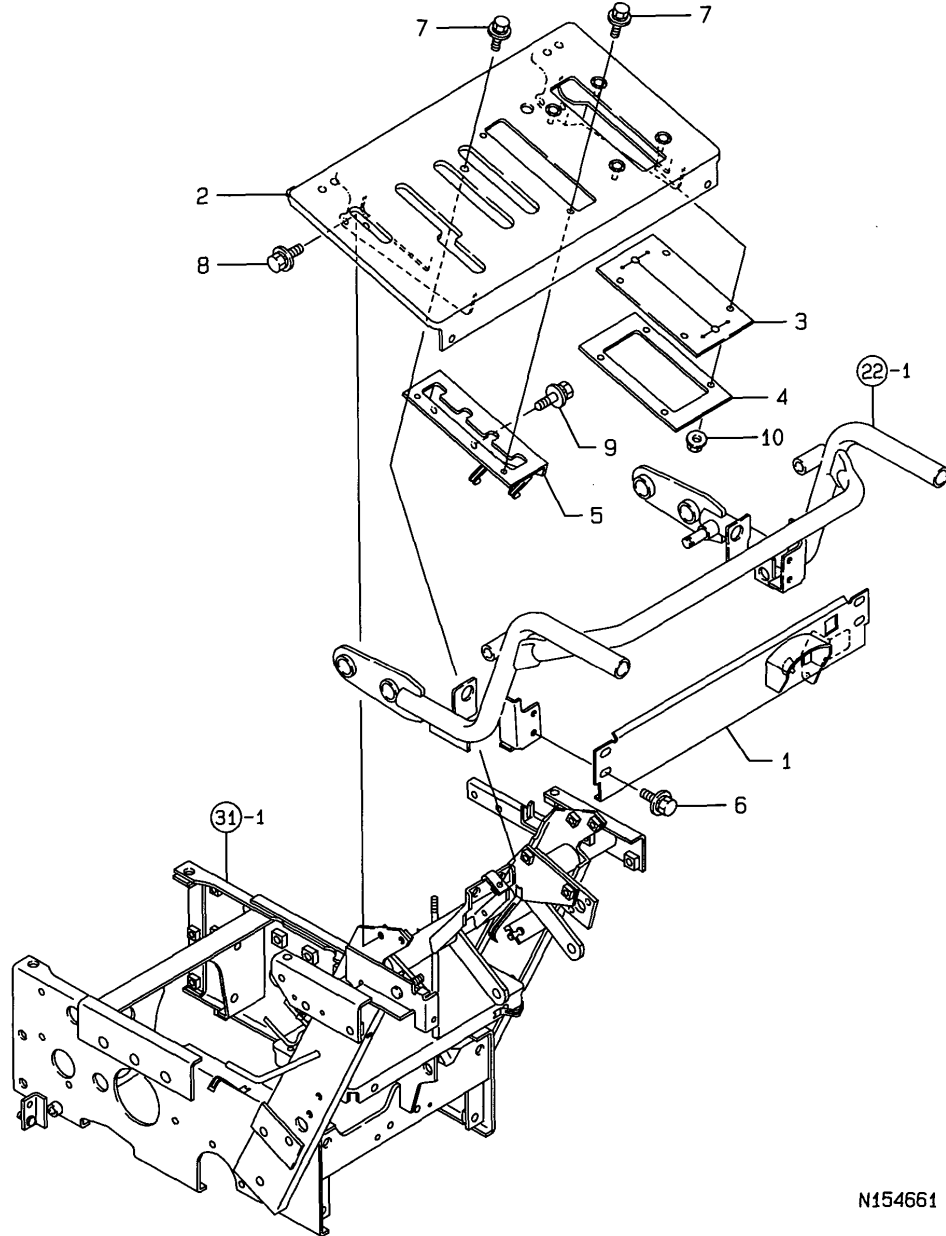
N154660

(A)=YSRA1050EX
(B)=
(C)=

(D)=
(E)=
(F)=

No.	Lev.	Parts No.	Description	Q'ty						I	R
				(A)	(B)	(C)	(D)	(E)	(F)		
1	1	1N3280-30010	HANDLE	1							
2	1	1N3280-30310	INSULATOR, RUBBER	4							
3	1	1N3280-30321	COLLAR	4							
4	1	1A1040-46460	WASHER, 10X33X4.5	4							
5	1	1A1040-58170	GRIP, HANDLE	2							
6	1	1E6150-61310	RUBBER, STOPPER	2							
7	1	26013-100452	BOLT, M10X 45	4							

Fig.23. CONTROL PANEL



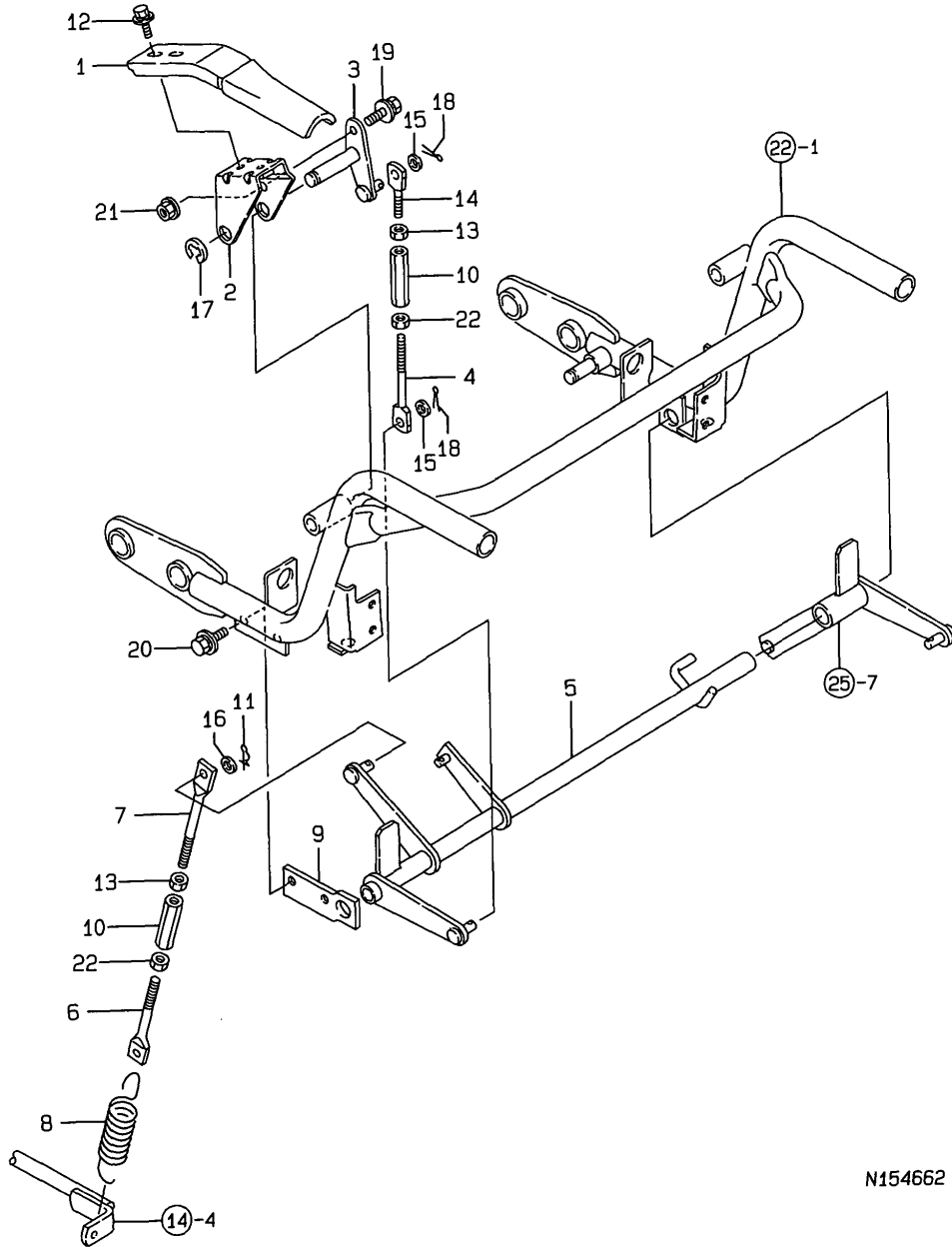
N154661

(A)=YSRA1050EX
(B)=
(C)=

(D)=
(E)=
(F)=

No.	Lev.	Parts No.	Description	Q'ty						I	R
				(A)	(B)	(C)	(D)	(E)	(F)		
1	1	1N3280-30471	COVER,PANEL REAR	1							
2	1	1N3290-30501	PANEL,CONTROL	1							
3	1	1N3290-30700	RUBBER,PANEL	1							
4	1	1N3290-30711	RETAINER,RUBBER	1							
5	1	1N3290-30751	LATCH,LIFT	1							
6	1	1N3280-30901	BOLT 6X160(BLACK	4							
7	1	1N3280-30901	BOLT 6X160(BLACK	3							
8	1	26014-080162	BOLT, M8X 16	4							
9	1	26014-080202	BOLT, M8X 20	2							
10	1	26367-060002	NUT, M6	4							

Fig.24. DRIVE CLUCH LEVER



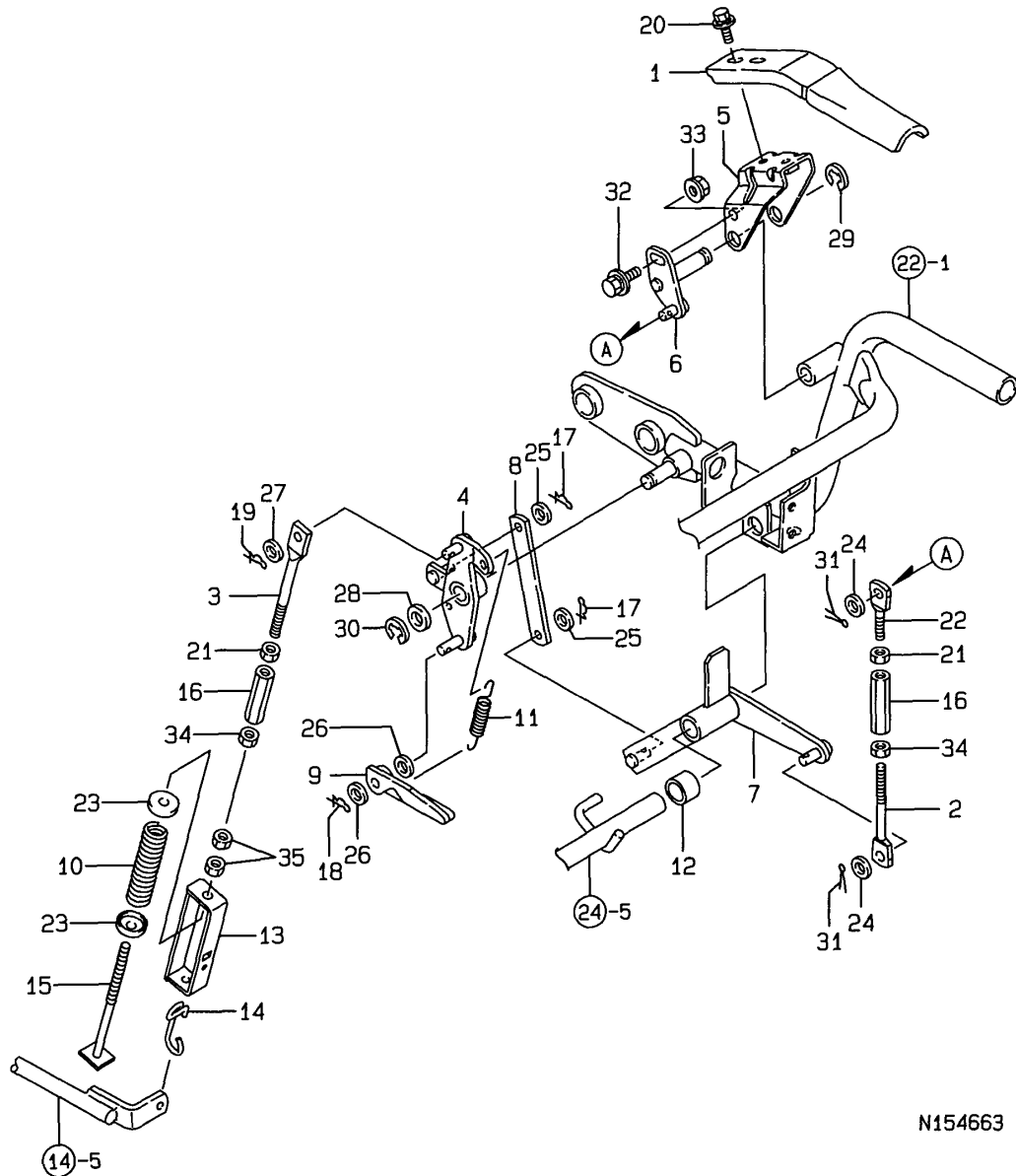
N154662

(A)=YSRA1050EX
(B)=
(C)=

(D)=
(E)=
(F)=

No.	Lev.	Parts No.	Description	Q'ty						I	R
				(A)	(B)	(C)	(D)	(E)	(F)		
1	1	1N3280-31011	LEVER, CLUTCH	1							
2	1	1N3280-31050	MTL.FLCRM CL.TRVL	1							
3	1	1N3280-31081	SHAFT.FLCRM CL.TRVL	1							
4	1	1N3280-31111	ROD 8X100	1							
5	1	1N3290-31131	ARM CMP,TRAVEL CLTCH	1							
6	1	1N3280-31210	ROD 8X120	1							
7	1	1N3280-31220	ROD 8X140L	1							
8	1	1N3280-31230	SPRING.CLUTCH.TRAVEL	1							
9	1	1N3280-31251	PLATE.FLCRM.CLTCHARM	1							
10	1	1N3280-31990	ADJUST NUT 8(LR-B)	2							
11	1	1C6281-52320	PIN, SNAP 8	1							
12	1	1D4160-52480	BOLT, M6X12	2							
13	1	1E6460-63240	NUT, M8 L	2							
14	1	1E8490-64261	SCREW, M8X41.5L	1							
15	1	22137-080000	WASHER, 8	2							
16	1	22137-080000	WASHER, 8	1							
17	1	22272-000100	RING, E-10	1							
18	1	22417-200200	PIN, COTTER 2.0X20	2							
19	1	26014-080202	BOLT, M8X 20	1							
20	1	26014-080202	BOLT, M8X 20	2							
21	1	26367-080002	NUT, M8	1							
22	1	26717-080002	NUT, M8	2							

Fig.25. SNOW REMOVING CLUCH LEVER



N154663

(A)=YSRA1050EX

(B)=

(C)=

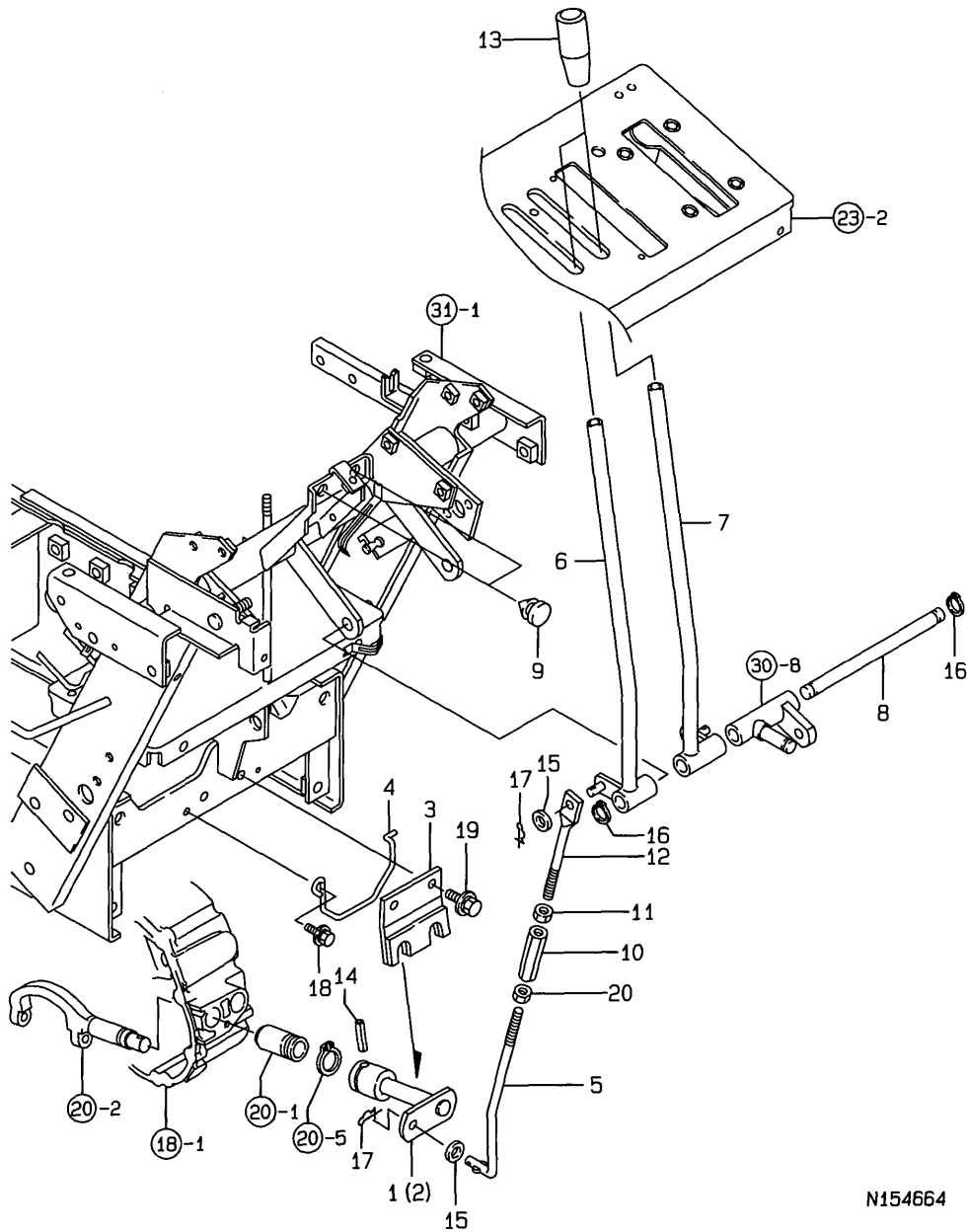
(D)=

(E)=

(F)=

No.	Lev.	Parts No.	Description	Q'ty						I	R
				(A)	(B)	(C)	(D)	(E)	(F)		
1	1	1N3280-31011	LEVER, CLUTCH	1							
2	1	1N3280-31210	ROD 8X120	1							
3	1	1N3280-31220	ROD 8X140L	1							
4	1	1N3280-31311	ARM.CLUTCH.SNOW RMVL	1							
5	1	1N3280-31350	MTL.FLCRM.CLTCH SNOW	1							
6	1	1N3280-31381	SHAFT.FLCRM.CLTCH SN	1							
7	1	1N3280-31411	ARM2.CLTCH.SNOW RMVL	1							
8	1	1N3280-31441	LINK.CLTCH.SNOW RMVL	1							
9	1	1N3280-31450	ARM ASSY, LOCK	1							
10	1	1N3280-31473	SPRING	1							
11	1	1N3280-31480	SPRING.LOCK-ARM	1							
12	1	1N3280-31490	ROLLER.18X25X18	1							
13	1	1N3280-31801	GUIDE,SPRING	1							
14	1	1N3280-31840	HOOK	1							
15	1	1N3280-31950	BOLT	1							
16	1	1N3280-31990	ADJUST NUT 8(LR-B)	2							
17	1	1C6281-52320	PIN, SNAP 8	2							
18	1	1C6281-52320	PIN, SNAP 8	1							
19	1	1C6281-52320	PIN, SNAP 8	1							
20	1	1D4160-52480	BOLT, M6X12	2							
21	1	1E6460-63240	NUT, M8 L	2							
22	1	1E8490-64261	SCREW, M8X41.5L	1							
23	1	1E4351-66400	SHOE, SPRING	2							
24	1	22137-080000	WASHER, 8	2							
25	1	22137-080000	WASHER, 8	2							
26	1	22137-080000	WASHER, 8	2							
27	1	22137-080000	WASHER, 8	1							
28	1	22137-130000	WASHER, 13	1							
29	1	22272-000100	RING, E-10	1							
30	1	22272-000100	RING, E-10	1							
31	1	22417-200200	PIN, COTTER 2.0X20	2							
32	1	26014-080202	BOLT, M8X 20	1							
33	1	26367-080002	NUT, M8	1							
34	1	26717-080002	NUT, M8	2							
35	1	26717-080002	NUT, M8	2							

Fig.26. SIDE CLUCH



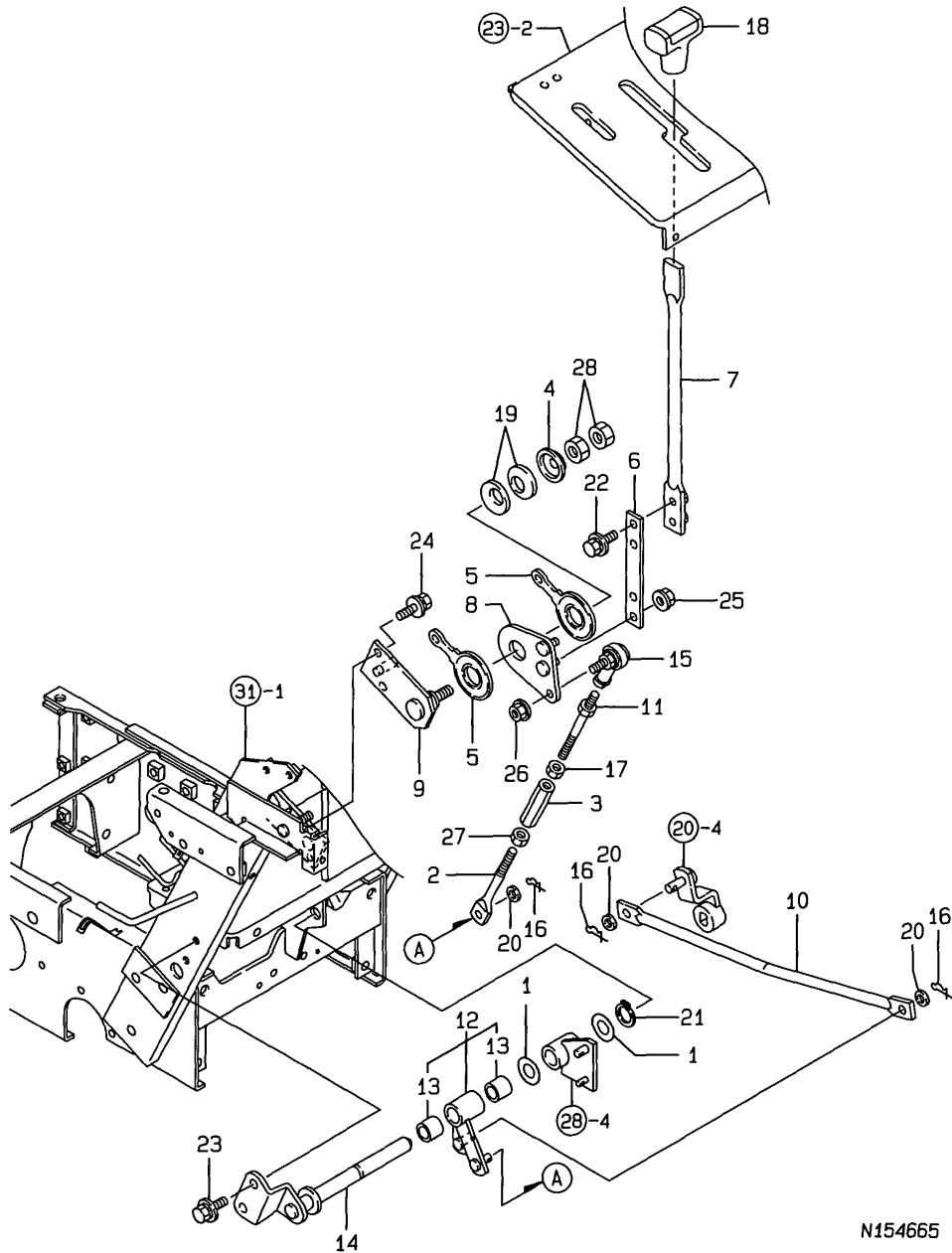
N154664

(A)=YSRA1050EX
(B)=
(C)=

(D)=
(E)=
(F)=

No.	Lev.	Parts No.	Description	Q'ty						I	R
				(A)	(B)	(C)	(D)	(E)	(F)		
1	1	1N3280-31500	ARM (L), CLUTCH	1							
2	1	1N3280-31550	ARM R, SIDE CLUTCH	1							
3	1	1N3280-31570	BRACKET, SD. CLTCH. ARM	1							
4	1	1N3280-31600	BRACKET, CLTCH. ARM. LW	1							
5	1	1N3280-31650	ROD, SIDE CLUTCH	2							
6	1	1N3290-31701	LEVER L, SIDE CLUTCH	1							
7	1	1N3290-31751	SIDE CLUTCH LEVER R	1							
8	1	1N1730-31870	SHAFT, FULCRUM	1							
9	1	1E6150-61310	RUBBER, STOPPER	2							
10	1	1E8400-63791	NUT, ADJUST 10	2							
11	1	1E8400-63820	NUT, M10 L	2							
12	1	1E8600-64220	ROD, RETURN A	2							
13	1	1E6570-64760	GRIP, LEVER 12	2							
14	1	1E4060-99331	PIN F 5X25, SLOTTED	2							
15	1	22137-100000	WASHER, 10	4							
16	1	22242-000130	RING, 13	2							
17	1	22372-100000	PIN, SNAP 10	4							
18	1	26014-060162	BOLT, M6X 16	1							
19	1	26014-080202	BOLT, M8X 20	2							
20	1	26717-100002	NUT, M10	2							

Fig.27. MAIN CHANGE



(A)=YSRA1050EX

(B)=

(C)=

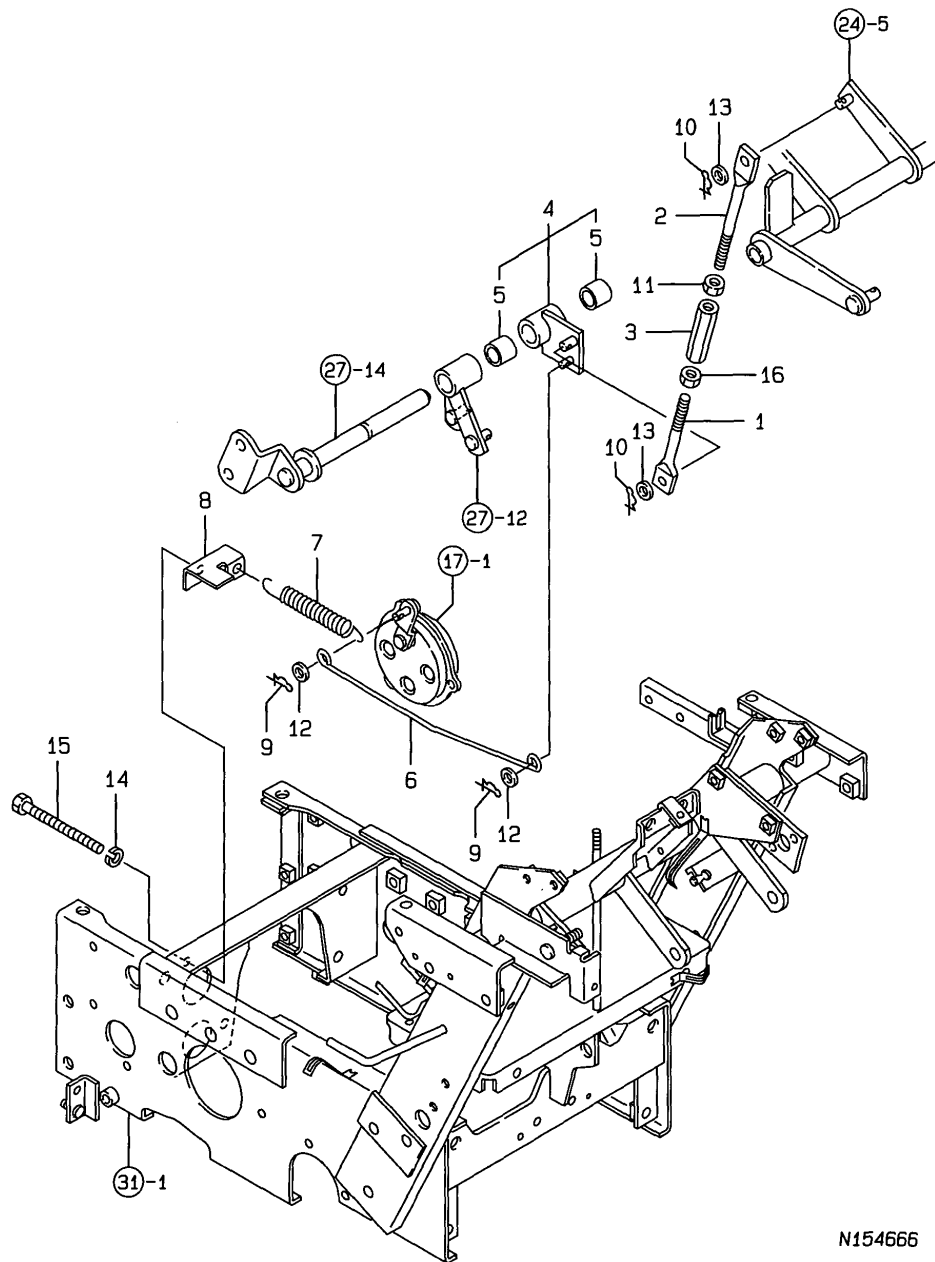
(D)=

(E)=

(F)=

No.	Lev.	Parts No.	Description	Q'ty						I	R
				(A)	(B)	(C)	(D)	(E)	(F)		
1	1	1E4110-24010	LINER, 15	2							
2	1	1N3280-31210	ROD 8X120	1							
3	1	1N3280-31990	ADJUST NUT 8(LR-B)	1							
4	1	1N3280-32050	RETNR.SPRING BLLVLL	1							
5	1	1N3280-32062	RETAINER, SPRING	2							
6	1	1N3280-32081	SPRING LEVER	1							
7	1	1N3280-32102	LEVER.MAIN TRNSMS.UP	1							
8	1	1N3290-32120	LEVER,MAIN CHANGE	1							
9	1	1N3290-32170	PLATE,MAIN CHANGE	1							
10	1	1N3280-32210	ROD.MAIN TRNSMS.FRNT	1							
11	1	1N3280-32230	ROD MAIN TRNSMS REAR	1							
12	1	1N3290-32250	LINK,MAIN CHANGE	1							
13	2	24550-015150	BUSH, 15X15	2							
14	1	1N3290-32451	FULCRUM,MAIN CHANGE	1							
15	1	172122-46590	ELBOW	1							
16	1	1C6281-52320	PIN, SNAP 8	3							
17	1	1E6460-63240	NUT, M8 L	1							
18	1	1E6570-64751	GRIP, LEVER 13	1							
19	1	1E8490-74700	SPRING, 18X1.2	2							
20	1	22137-080000	WASHER, 8	3							
21	1	22242-000150	RING, 15	1							
22	1	26014-080202	BOLT, M8X 20	2							
23	1	26014-080202	BOLT, M8X 20	2							
24	1	26014-080252	BOLT, M8X 25	2							
25	1	26367-080002	NUT, M8	2							
26	1	26367-080002	NUT, M8	1							
27	1	26717-080002	NUT, M8	1							
28	1	26717-100002	NUT, M10	2							

Fig.28. BRAKE CONTROL



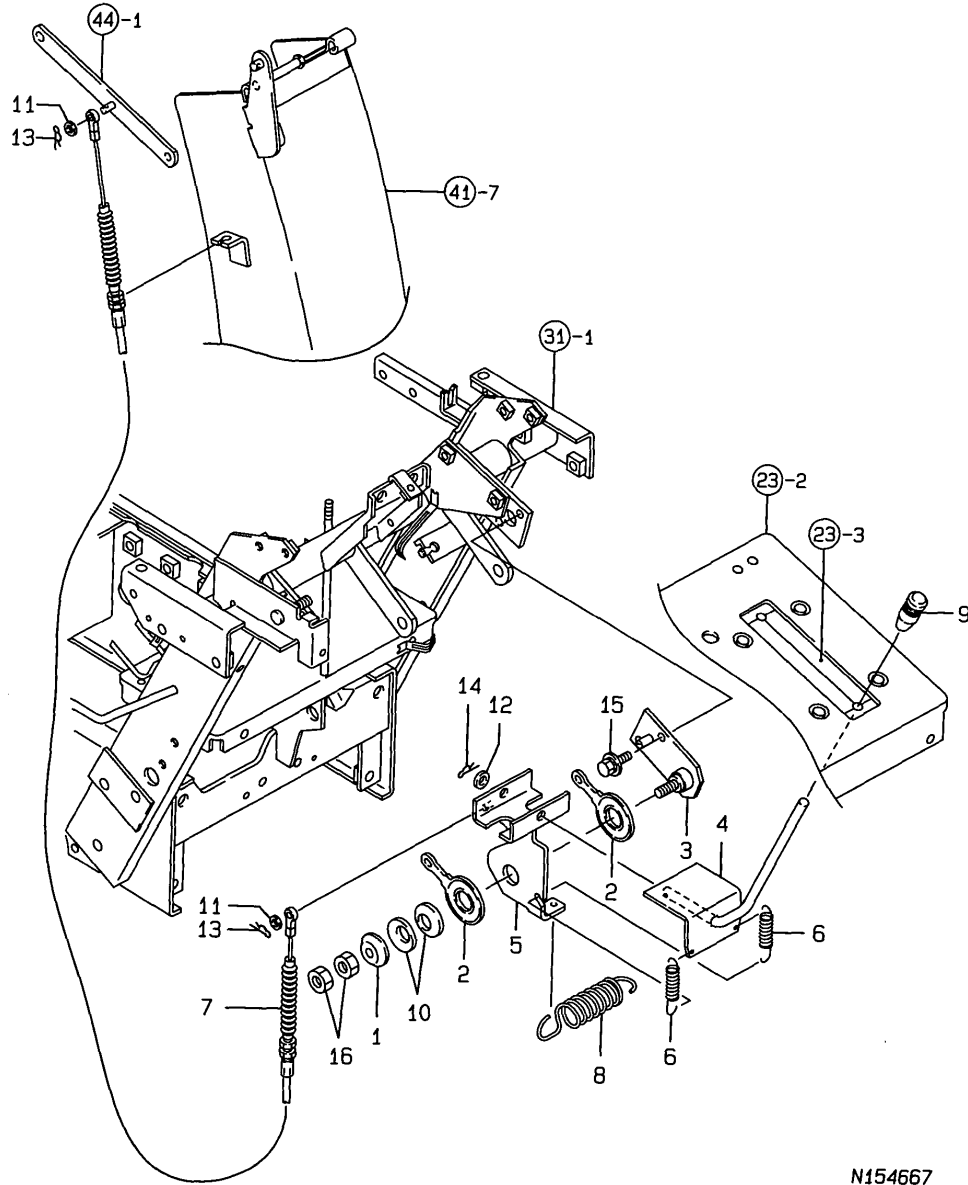
N154666

(A)=YSRA1050EX
(B)=
(C)=

(D)=
(E)=
(F)=

No.	Lev.	Parts No.	Description	Q'ty						I	R
				(A)	(B)	(C)	(D)	(E)	(F)		
1	1	1N3280-31210	ROD 8X120	1							
2	1	1N3280-31220	ROD 8X140L	1							
3	1	1N3280-31990	ADJUST NUT 8(LR-B)	1							
4	1	1N3290-33101	ARM,BRAKE LINK	1							
5	2	24550-015150	BUSH, 15X15	2							
6	1	1N3280-33170	ROD,BRAKE	1							
7	1	1N3280-33201	SPRING,BRAKE	1							
8	1	1N3320-33500	HOOK,SPRING,BRAKE	1							
9	1	1C6281-52310	PIN, SNAP 6	2							
10	1	1C6281-52320	PIN, SNAP 8	2							
11	1	1E6460-63240	NUT, M8 L	1							
12	1	22137-060000	WASHER, 6	2							
13	1	22137-080000	WASHER, 8	2							
14	1	22217-080000	WASHER, SPRING 8	1							
15	1	26116-080904	BOLT, M8X 90 PLATED	1							
16	1	26717-080002	NUT, M8	1							

Fig.29. SHOOTER LEVER



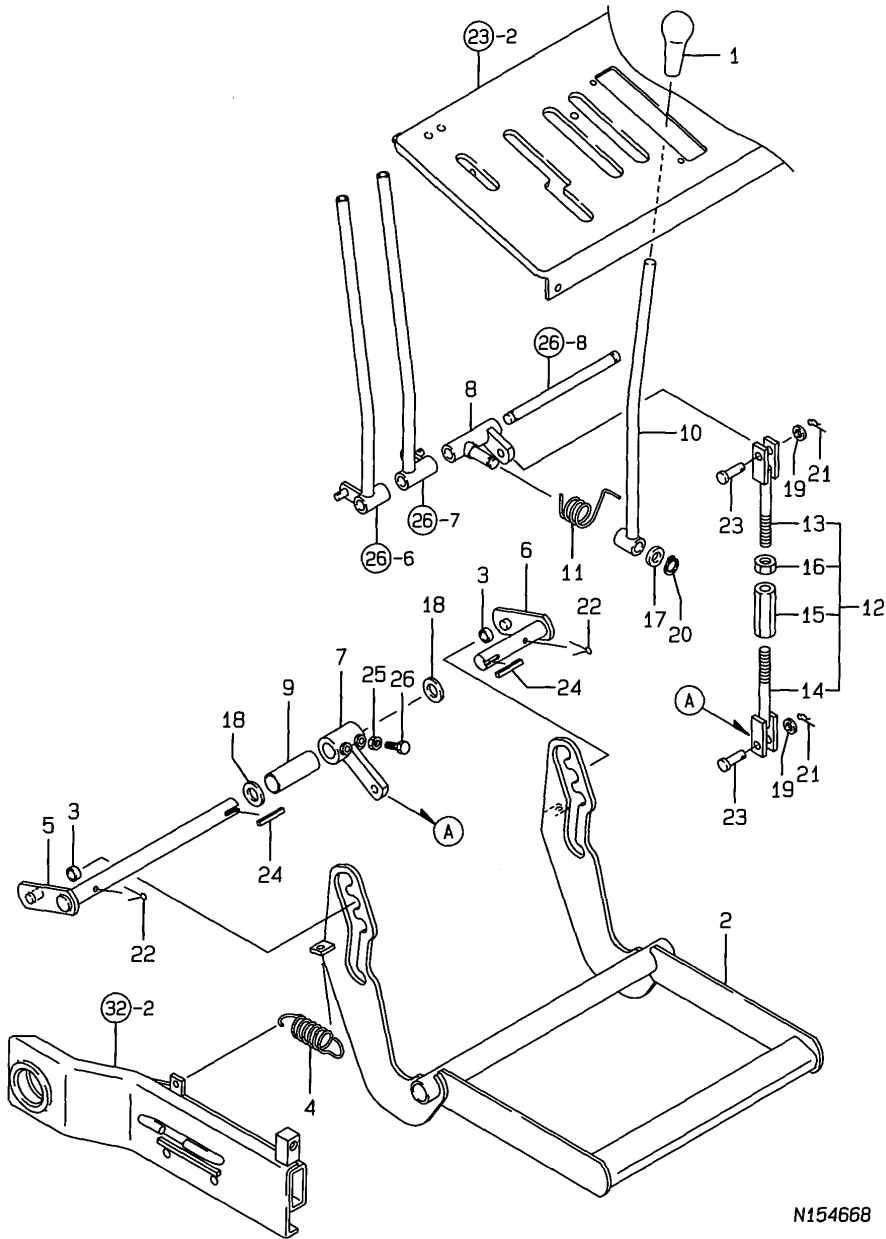
N154667

(A)=YSRA1050EX
(B)=
(C)=

(D)=
(E)=
(F)=

No.	Lev.	Parts No.	Description	Q'ty						I	R
				(A)	(B)	(C)	(D)	(E)	(F)		
1	1	1N3280-32050	RETNR.SPRING BLLVLL	1							
2	1	1N3280-32062	RETAINER, SPRING	2							
3	1	1N3290-32170	PLATE,MAIN CHANGE	1							
4	1	1N3290-34110	LEVER COMP.,SHOOTER	1							
5	1	1N3290-34151	WASHER,SHOOTER LEVER	1							
6	1	1N3290-34191	SPRING,SHOOTER LEVER	2							
7	1	1N3290-34230	WIRE,SHOOT(DEFLECTOR	1							
8	1	1N3290-34250	RETURN SPRING,LEVER	1							
9	1	1E6570-65751	GRIP, LEVER	1							
10	1	1E8490-74700	SPRING, 18X1.2	2							
11	1	22137-060000	WASHER, 6	2							
12	1	22137-100000	WASHER, 10	1							
13	1	22372-060000	PIN, SNAP 6	2							
14	1	22372-100000	PIN, SNAP 10	1							
15	1	26014-080252	BOLT, M8X 25	1							
16	1	26717-100002	NUT, M10	2							

Fig.30. SNOW REMOVING UNIT CONTROL



(A)=YSRA1050EX

(B)=

(C)=

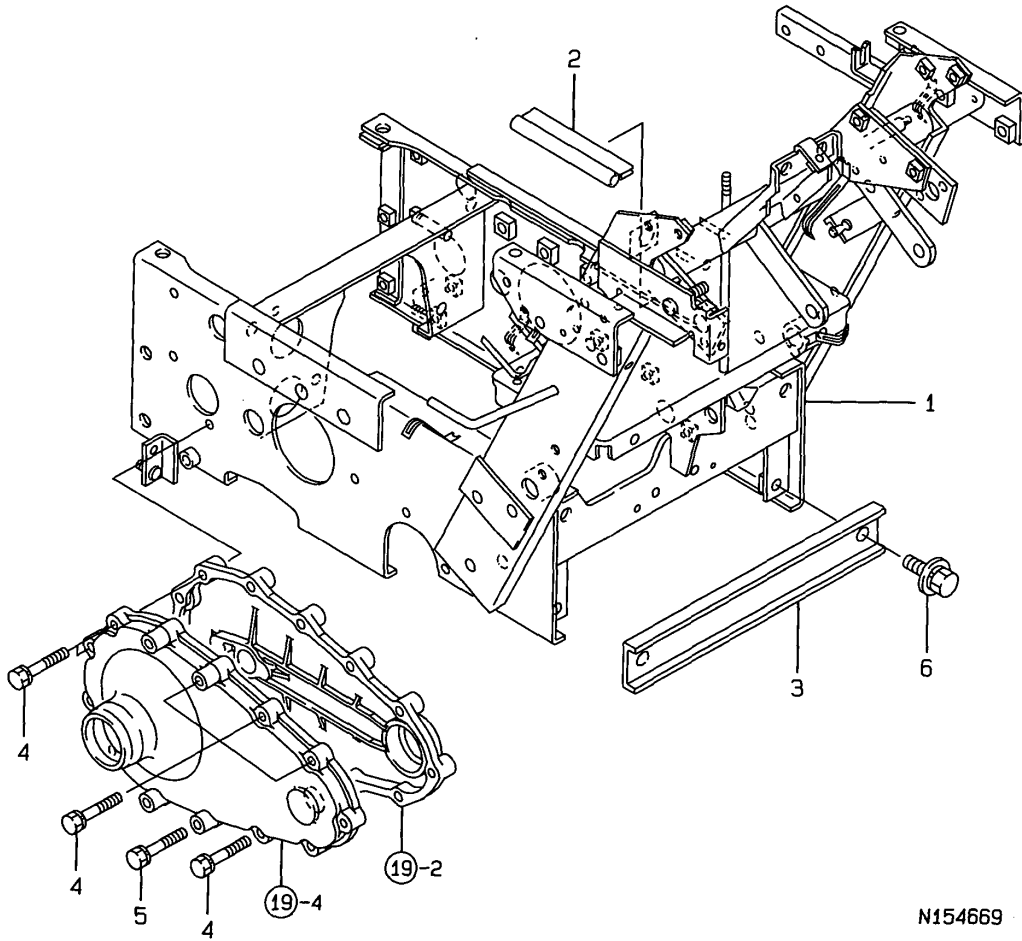
(D)=

(E)=

(F)=

No.	Lev.	Parts No.	Description	Q'ty						I	R
				(A)	(B)	(C)	(D)	(E)	(F)		
1	1	1E4060-26430	GRIP, LEVER	1							
2	1	1N3290-35011	PEDAL COMP., FOOT	1							
3	1	1N1730-35070	BUSH, FOOT PEDAL	2							
4	1	1N1730-35090	SPRING 26X82	2							
5	1	1N3290-35200	ARM(L), LIFT	1							
6	1	1N3290-35250	ARM (R), LIFT	1							
7	1	1N3290-35271	CONNECTOR, ARM, LIFT,	1							
8	1	1N3290-35300	ARM, LIFT UPPER	1							
9	1	1N3290-35350	SPACER	1							
10	1	1N1730-35361	LEVER, LIFT	1							
11	1	1N1730-35392	SPRING LFT. LVR. RETRN	1							
12	1	1N3290-35500	ROD COMP., LIFT	1							
13	2	1N3290-35510	ROD A, LIFT	1							
14	2	1N3290-35540	ROD B, LIFT	1							
15	2	1N1730-35570	ADJUSTER, ROD	1							
16	2	26737-120002	NUT, M12	1							
17	1	1A1030-77050	WASHER, CLAMP BOLT	1							
18	1	22117-200000	WASHER, 20	2							
19	1	22137-100000	WASHER, 10	2							
20	1	22242-000120	RING, 12	1							
21	1	22372-100000	PIN, SNAP 10	2							
22	1	22417-400320	PIN, COTTER 4.0X32	2							
23	1	22487-100300	PIN, H10X 30	2							
24	1	22551-050400	KEY, 5X 40	2							
25	1	26717-080002	NUT, M8	2							
26	1	26966-080252	BOLT, M8X 25	2							

Fig.31. SHASSIS



N154669

(A)=YSRA1050EX
(B)=
(C)=

(D)=
(E)=
(F)=

No.	Lev.	Parts No.	Description	Q'ty						I	R
				(A)	(B)	(C)	(D)	(E)	(F)		
1	1	1N3290-36011	CHASSIS COMPL.	1							
2	1	1N3280-36711	RUBBER	1							
3	1	1N3280-36950	STAY,SHASSIS	1							
4	1	26013-080502	BOLT, M8X 50	12							
5	1	26013-080652	BOLT, M8X 65	2							
6	1	26014-100252	BOLT, M10X 25	2							

Fig.32. CRAWLER

(A)=YSRA1050EX

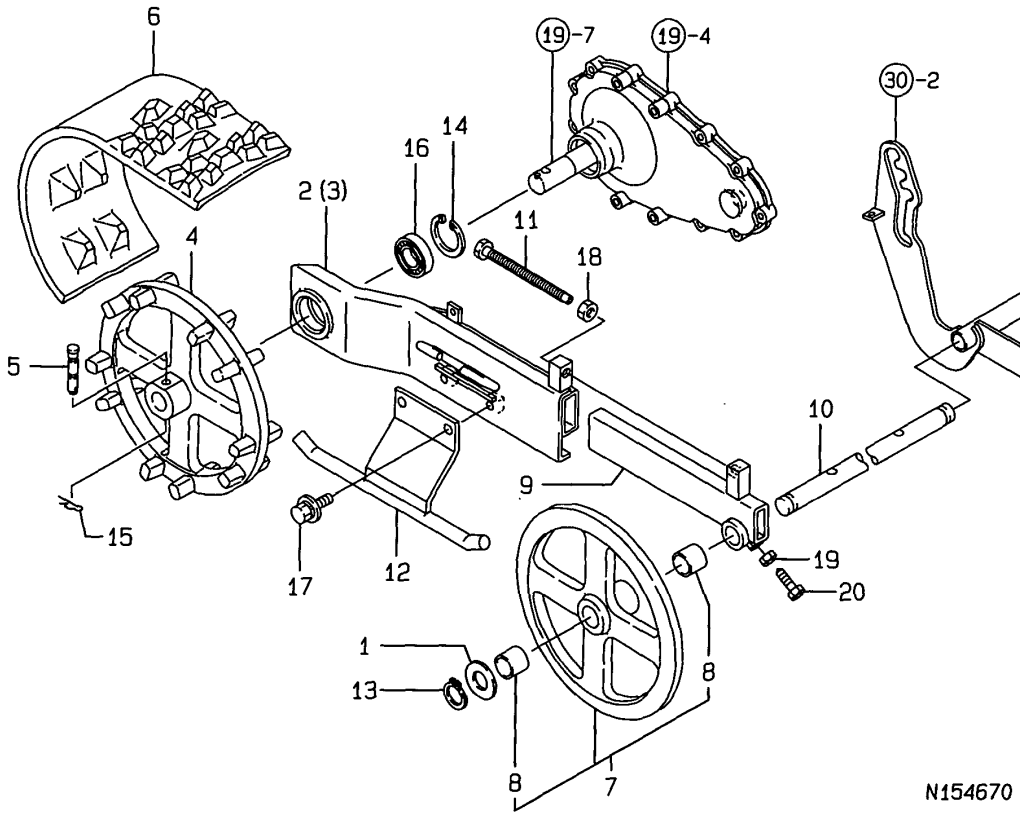
(B)=

(C)=

(D)=

(E)=

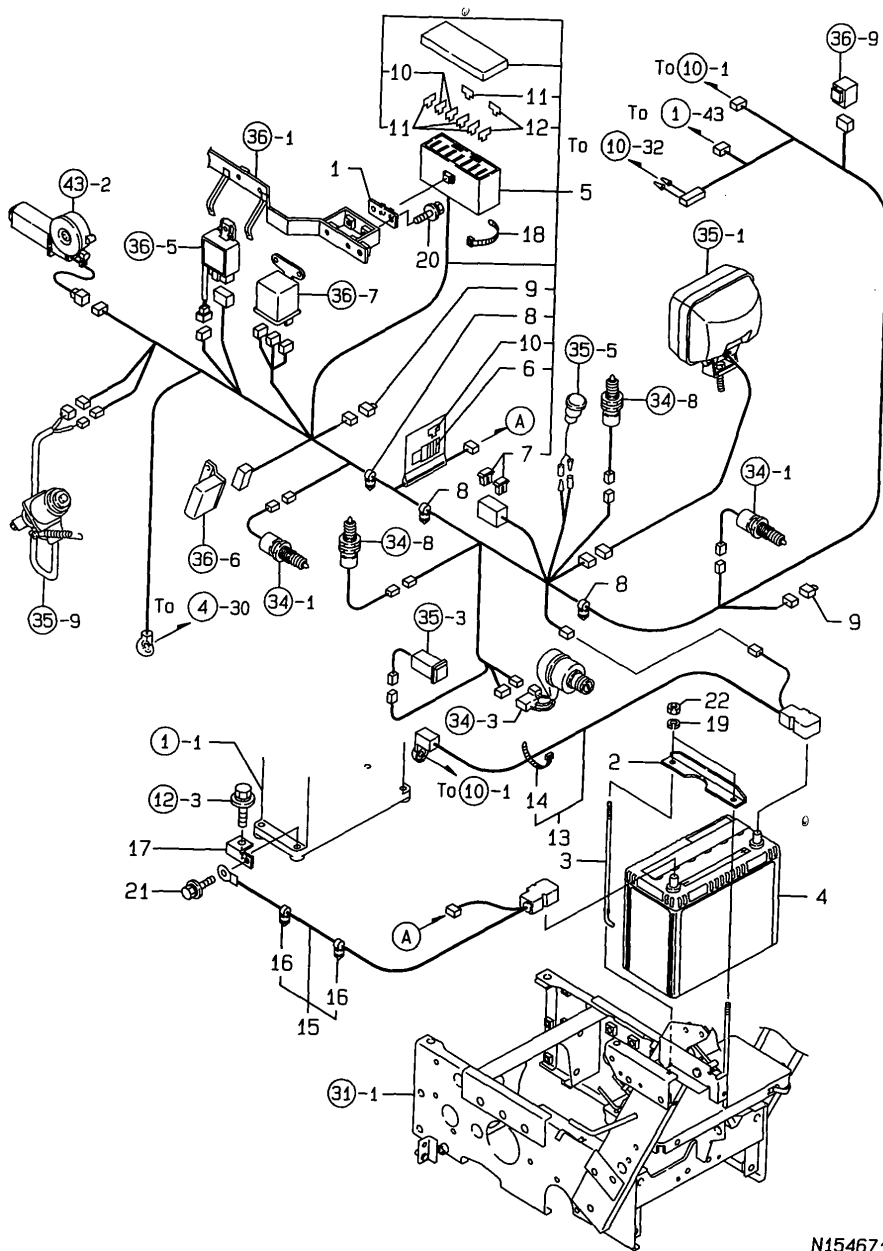
(F)=



N154670

No.	Lev.	Parts No.	Description	Q'ty						I	R
				(A)	(B)	(C)	(D)	(E)	(F)		
1	1	192110-24031	LINER, SHAFT 25	2							
2	1	1N3290-38010	FRAME L,TRACK	1							
3	1	1N3290-38150	FRAME R,TRACK	1							
4	1	1N1730-38183	M2C419400	2							
5	1	1N1730-38191	PIN 10X55,AXLE	2							
6	1	1N3280-38210	CRAWLER 180X60X31	2							
7	1	1N1730-38250	IDLER 280 COMPL.	2							
8	2	24550-025250	BUSH, 25X25	4							
9	1	1N1730-38290	FRAME,IDLER SHAFT	2							
10	1	1N3290-38320	SHAFT,IDLER	1							
11	1	1N1730-38351	BOLT, TENSION	2							
12	1	1N3280-38510	GUIDE COMP.,CRAWLER	2							
13	1	22242-000250	RING, 25	2							
14	1	22252-000520	RING, 52	2							
15	1	22372-100000	PIN, SNAP 10	2							
16	1	24104-062054	BEARING, BALL 6205UU	2							
17	1	26014-100252	BOLT, M10X 25	4							
18	1	26707-120002	NUT, M12	2							
19	1	26717-100002	NUT, M10	2							
20	1	26956-100352	BOLT, M10X 35	2							

Fig.33. HARNESS,BATTERY



N154671

(A)=YSRA1050EX

(B)=

(C)=

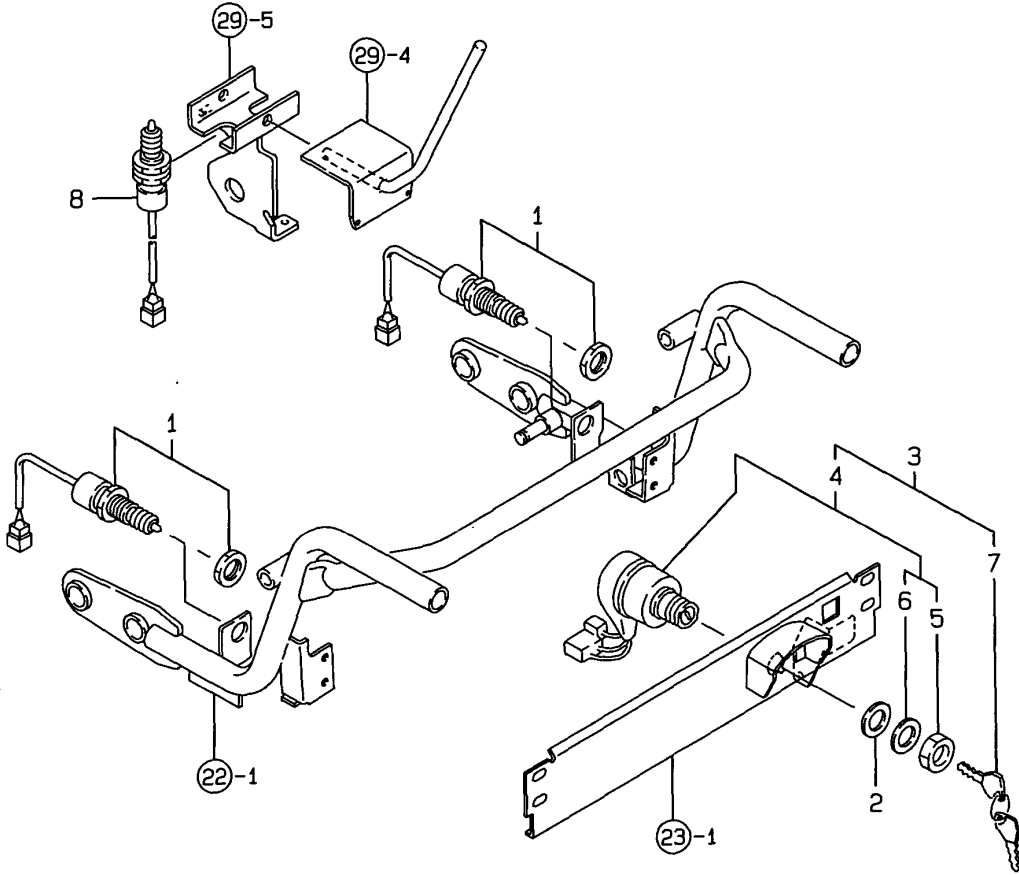
(D)=

(E)=

(F)=

No.	Lev.	Parts No.	Description	Q'ty						I	R
				(A)	(B)	(C)	(D)	(E)	(F)		
1	1	1D4111-17400	SEAT, FUSE BOX B	1							
2	1	1N1730-51051	RETAINER, BATTERY	1							
3	1	1N1730-51071	BOLT,BATTERY CLAMP'G	1							
4	1	198435-51310	BATTERY, DRY 46B24L	1							
5	1	1N3290-51400	WIRE HARNESS	1							
6	2	1N3280-51800	PULLER,FUSE 15	1							
7	2	1E8450-83120	FUSE, SLOW BLOW 40A	2							
8	2	1E8490-84130	CLAMP, BAND	3							
9	2	1E8235-84910	DIODE, 090 3A	2							
10	2	29420-050000	FUSE, B 5A	3							
11	2	29420-100000	FUSE, B 10A	4							
12	2	29420-300000	FUSE, B 30A	2							
13	1	1N3280-51601	CABLE A,BATTERY	1							
14	2	1E8665-83100	CLIP, BAND	1							
15	1	1N3280-51652	CABLE B,BATTERY	1							
16	2	1E8490-84130	CLAMP, BAND	2							
17	1	1N3280-51700	SEAT,EARTH	1							
18	1	1E6150-83910	BAND 195	1							
19	1	22217-060000	WASHER, SPRING 6	2							
20	1	26014-060162	BOLT, M6X 16	2							
21	1	26014-080162	BOLT, M8X 16	1							
22	1	26717-060002	NUT, M6	2							

Fig.34. SWITCHS



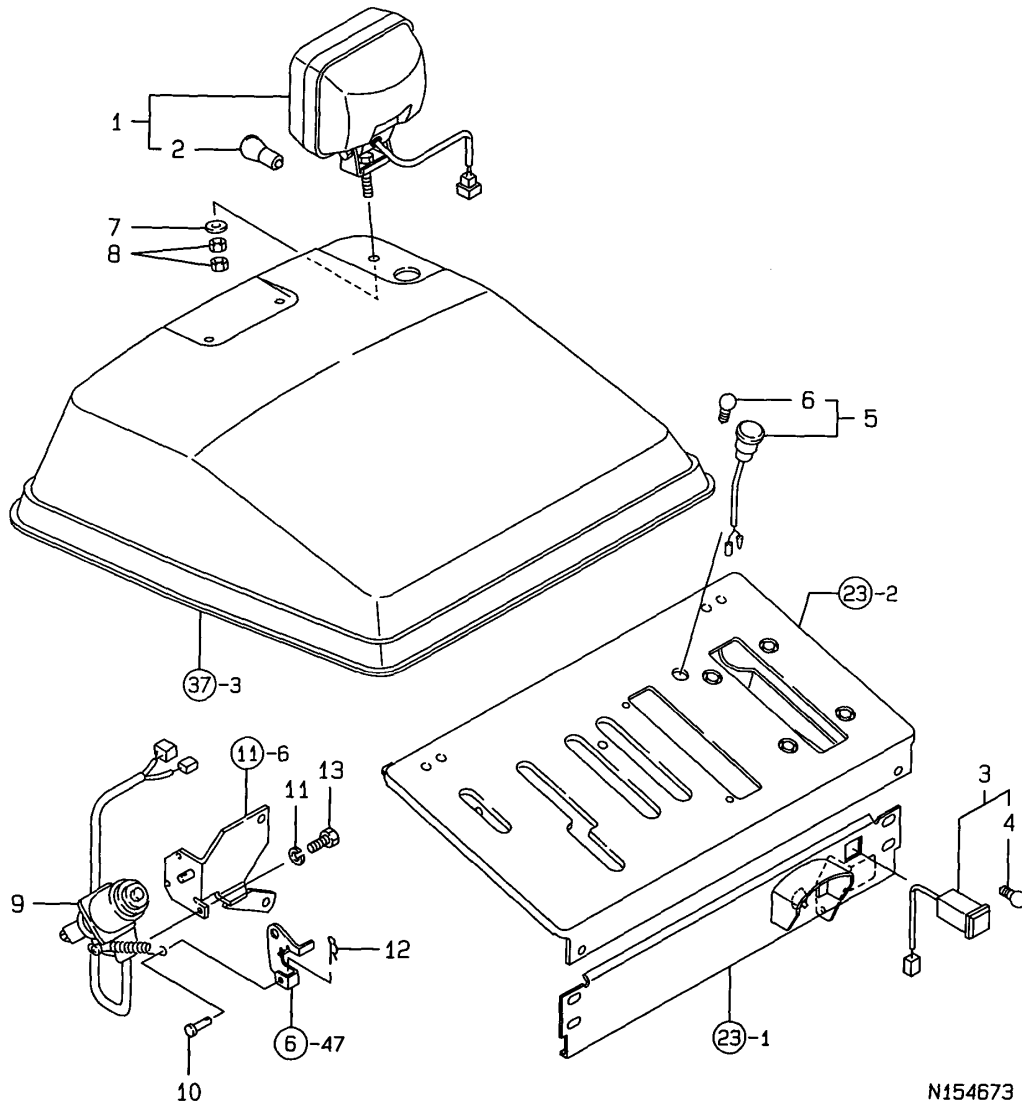
N154672

(A)=YSRA1050EX
(B)=
(C)=

(D)=
(E)=
(F)=

No.	Lev.	Parts No.	Description	Q'ty						I	R
				(A)	(B)	(C)	(D)	(E)	(F)		
1	1	1D4180-17300	SWITCH, PUSH	2							
2	1	1N1730-51910	SPACER 35-6	1							
3	1	1N3280-52110	STARTING SW.ASSY	1							
4	2	1N3280-52150	STARTER SWITCH COMP.	1							
5	3	198360-52320	NUT, RING	1							
6	3	198360-52330	WASHER	1							
7	2	198360-52160	KEY ASSY	1							
8	1	1N3290-52301	SWITCH,PUSH	2							

Fig.35. LAMPS,STOP MOTOR



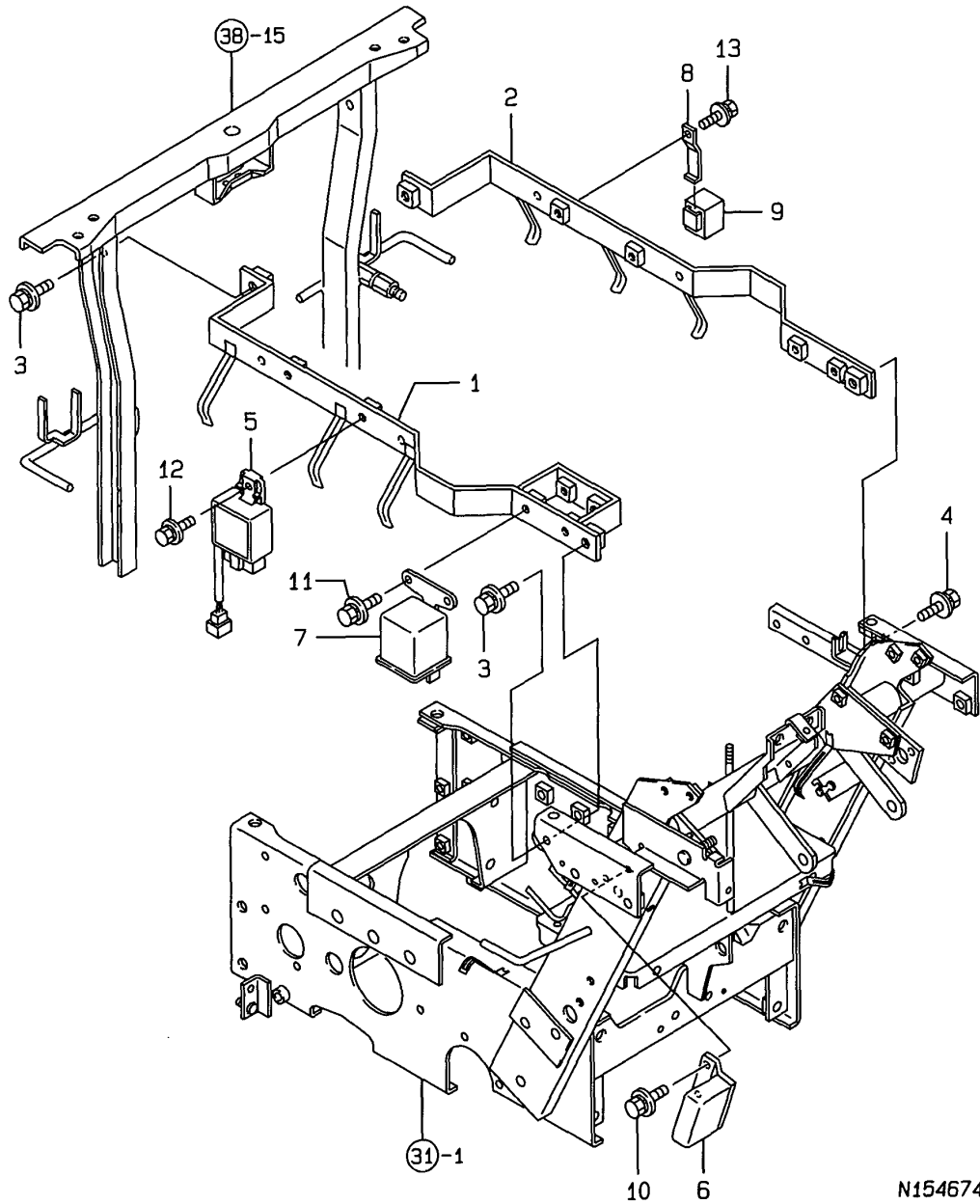
N154673

(A)=YSRA1050EX
(B)=
(C)=

(D)=
(E)=
(F)=

No.	Lev.	Parts No.	Description	Q'ty						I	R
				(A)	(B)	(C)	(D)	(E)	(F)		
1	1	1N3280-53113	HEAD LIGHT ASY.	1							
2	2	1N1730-51131	LAMP 12V-15W G23	1							
3	1	1E6691-81250	LAMP,HEATER PILOT	1							
4	2	1E6366-81370	LAMP 3.4W	1							
5	1	7E6366-81350	LAMP ASSY, PILOT G	1							
6	2	29220-083200	BULB (12V/3.4W)	1							
7	1	22137-080000	WASHER, 8	1							
8	1	26717-080002	NUT, M8	2							
9	1	1N1730-51451	MOTOR,FUEL STOP	1							
10	1	1E6070-56270	PIN 6X20	1							
11	1	22217-050000	WASHER, SPRING 5	3							
12	1	22372-060000	PIN, SNAP 6	1							
13	1	26116-050162	BOLT, M5X 16 PLATED	3							

Fig.36. RELAY



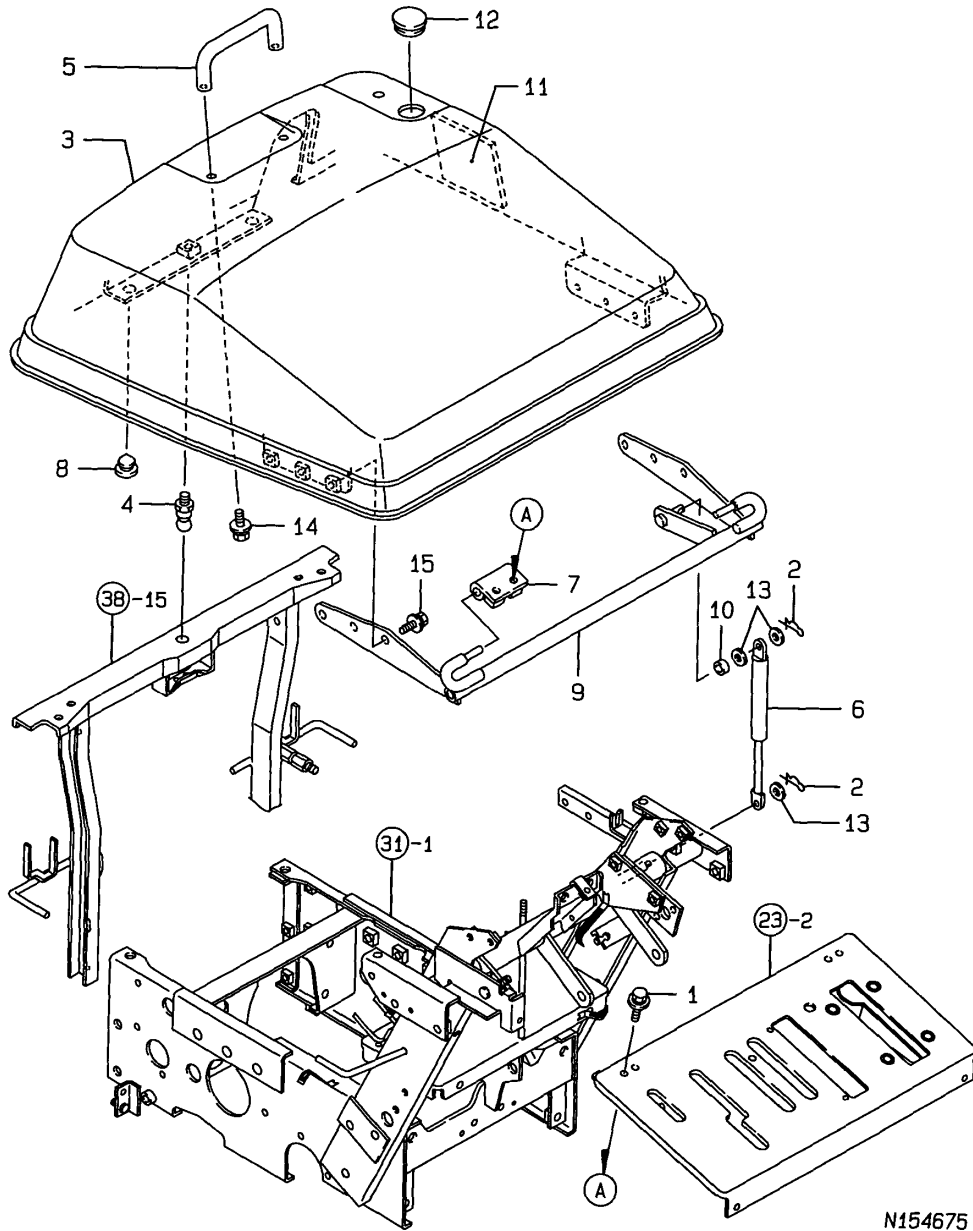
N154674

(A)=YSRA1050EX
(B)=
(C)=

(D)=
(E)=
(F)=

No.	Lev.	Parts No.	Description	Q'ty						I	R
				(A)	(B)	(C)	(D)	(E)	(F)		
1	1	1N3280-55711	BRACKET,RELAY	1							
2	1	1N3280-55811	BRACKET,RELAY	1							
3	1	26014-080162	BOLT, M8X 16	2							
4	1	26014-080162	BOLT, M8X 16	2							
5	1	1N3280-55100	RELAY UNIT	1							
6	1	129107-77900	CONTROLLER	1							
7	1	119650-77910	RELAY ASSY, GLOW	1							
8	1	1E6690-82070	PLATE, RELAY	1							
9	1	1E6910-82500	RELAY, CA-1A	1							
10	1	26014-060122	BOLT, M6X 12	2							
11	1	26014-060122	BOLT, M6X 12	2							
12	1	26014-060202	BOLT, M6X 20	1							
13	1	26014-060252	BOLT, M6X 25	1							

Fig.37. BONNET

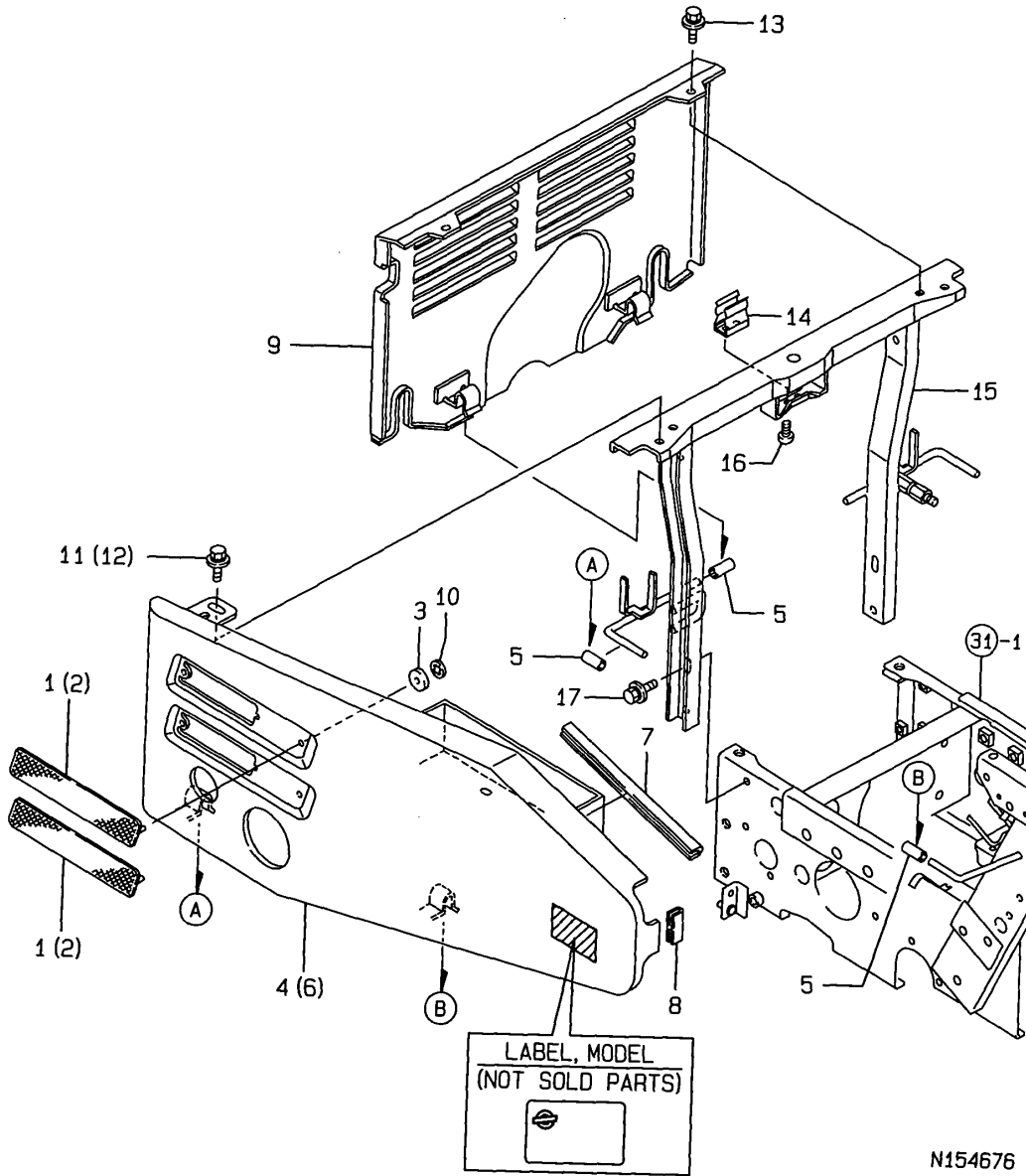


(A)=YSRA1050EX
(B)=
(C)=

(D)=
(E)=
(F)=

No.	Lev.	Parts No.	Description	Qty						I	R
				(A)	(B)	(C)	(D)	(E)	(F)		
1	1	1N3280-30901	BOLT 6X160(BLACK	4							
2	1	1C6281-52310	PIN, SNAP 6	2							
3	1	7N3290-61010		1							
4	1	1N3280-61110	LATCH.BONNET	1							
5	1	1N3280-61121	HANDLE	1							
6	1	1N3280-61130	GASKET SP(BONNET)	1							
7	1	1N3280-61180	HINGE BONNET	2							
8	1	1N1730-61190	RUBBER,CONTACT	2							
9	1	1N3280-61460	FLCRM.BONNET CMP	1							
10	1	1N3280-61490	SPACER NA-405	1							
11	1	1N3280-61601	INSULATOR	1							
12	1	1E6910-83500	GROMMET, 30	1							
13	1	22137-060000	WASHER, 6	3							
14	1	26014-060122	BOLT, M6X 12	2							
15	1	26014-060162	BOLT, M6X 16	6							

Fig.38. COVER,BONNET KEEL

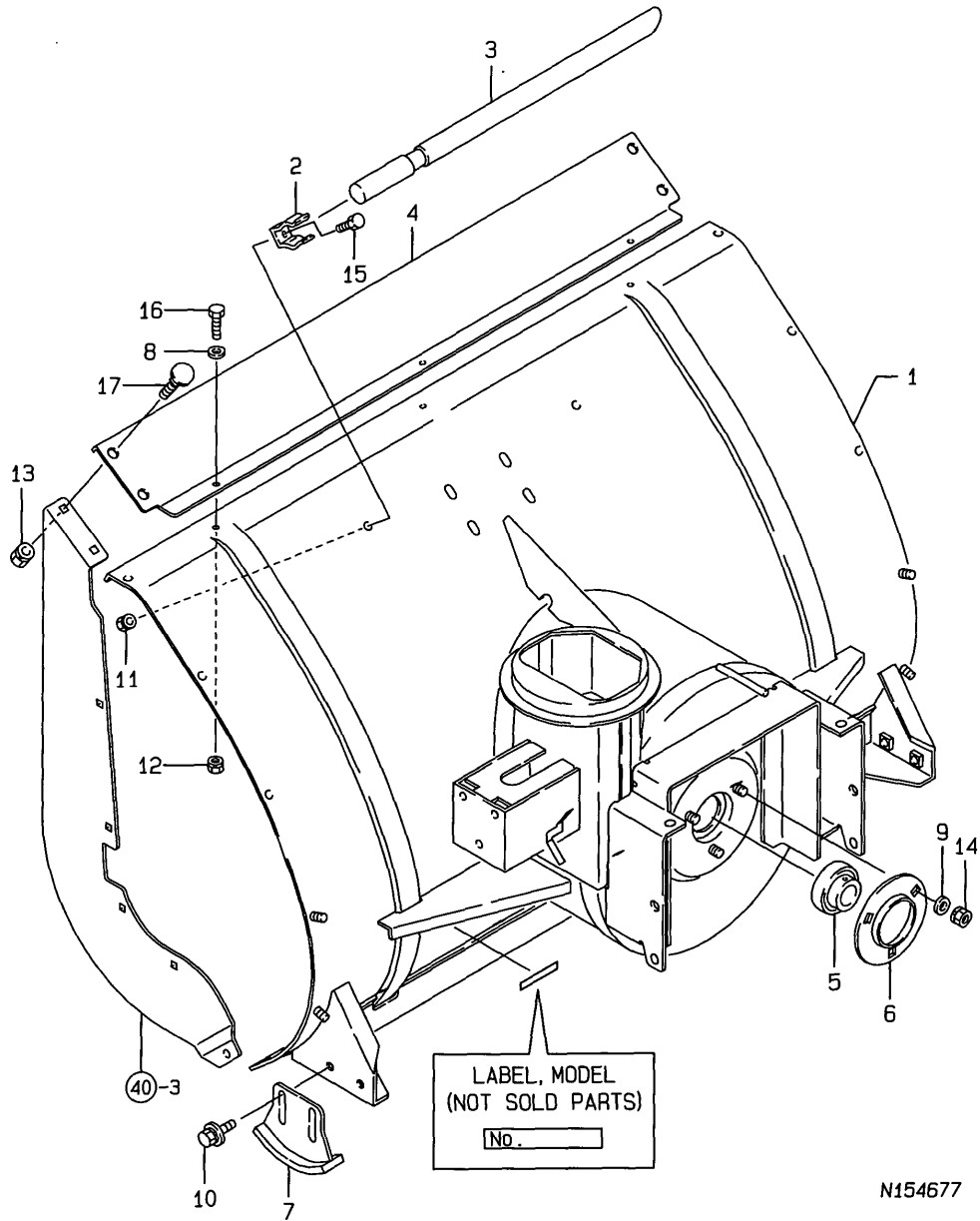


(A)=YSRA1050EX
(B)=
(C)=

(D)=
(E)=
(F)=

No.	Lev.	Parts No.	Description	Q'ty						I	R
				(A)	(B)	(C)	(D)	(E)	(F)		
1	1	198072-05161	SCREEN, L	2							
2	1	198072-05261	SCREEN, R	2							
3	1	1E6251-32530	RUBBER, 74.5X16X1.5	12							
4	1	1N3280-61212	COVER ASSY, SIDE	1							
5	1	1N3280-61290	PIPE.VINYL 8X30	6							
6	1	1N3280-61312	COVER ASSY, SIDE	1							
7	1	1N3280-61350	RUBBER 245.EDGE	2							
8	1	1N3280-61360	RUBBER 44.EDGE	2							
9	1	7N3290-61410		1							
10	1	198071-65610	NUT, SPEED M5	12							
11	1	26014-080162	BOLT, M8X 16	2							
12	1	26014-080162	BOLT, M8X 16	2							
13	1	26014-080162	BOLT, M8X 16	2							
14	1	1E7043-45180	SPRING,LEG LOCK	1							
15	1	1N3280-61513		1							
16	1	22697-480321	RIVET, 4.8X 3.2	2							
17	1	26014-080202	BOLT, M8X 20	4							

Fig.39. SNOW REMOVING FRAME



(A)=YSRA1050EX

(B)=

(C)=

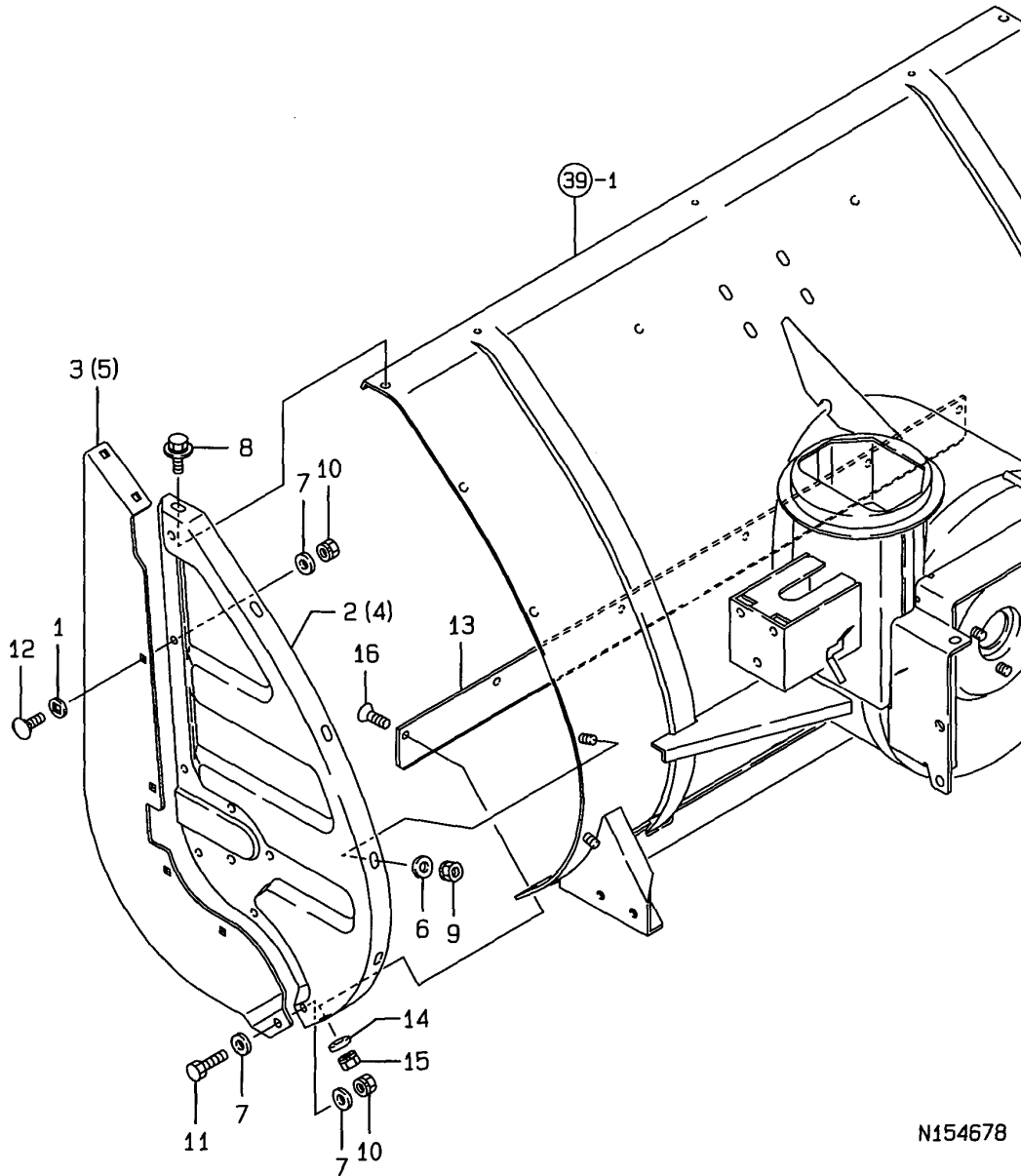
(D)=

(E)=

(F)=

No.	Lev.	Parts No.	Description	Q'ty						I	R
				(A)	(B)	(C)	(D)	(E)	(F)		
1	1	7N3290-71500	FRAME,SNOW REMOVING	1							
2	1	1N1710-71062	STOPPER	2							
3	1	1N1710-71071	ROD,SNOW SHOVELING	1							
4	1	1N3290-71200	COVER AUX.AUGER	1							
5	1	1N3280-71270	BEARING SB206	1							
6	1	1N3280-71280	CASING ASSY	1							
7	1	1N3280-71501	GUIDE ASSY	2							
8	1	22137-060000	WASHER, 6	3							
9	1	22137-100000	WASHER, 10	3							
10	1	26018-080202	BOLT, M8X 20	4							
11	1	26051-060002	NUT, M6	2							
12	1	26051-060002	NUT, M6	3							
13	1	26051-080002	NUT, M8	4							
14	1	26051-100002	NUT, M10	3							
15	1	26117-060122	BOLT M 6X 12 PLATED	2							
16	1	26117-060162	BOLT M 6X 16 PLATED	3							
17	1	26487-080202	BOLT, M8X20	4							

Fig.40. AUGER SIDE BOARD,AUGER BOTTOM



N154678

(A)=YSRA1050EX

(B)=

(C)=

(D)=

(E)=

(F)=

No.	Lev.	Parts No.	Description	Q'ty						I	R
				(A)	(B)	(C)	(D)	(E)	(F)		
1	1	1N3320-71290	WASHER	8							
2	1	1N3320-71300	PLATE L,AUGER SIDE	1							
3	1	1N3320-71310	COVER L,AUX.AUGER	1							
4	1	1N3320-71350	PLATE R,AUGER SIDE	1							
5	1	1N3320-71360	COVER R,AUX.AUGER	1							
6	1	22137-080000	WASHER, 8	4							
7	1	22137-080000	WASHER, 8	10							
8	1	26018-080164	BOLT M 8X 16	6							
9	1	26051-080002	NUT, M8	4							
10	1	26051-080002	NUT, M8	10							
11	1	26116-080162	BOLT, M8X 16 PLATED	2							
12	1	26487-080202	BOLT, M8X20	8							
13	1	1N3290-71422	PLATE,BOTTOM	1							
14	1	22137-080000	WASHER, 8	6							
15	1	26051-080002	NUT, M8	6							
16	1	26577-080202	SCREW, M8X20	6							

Fig.41. SHOOTER

(A)=YSRA1050EX

(B)=

(C)=

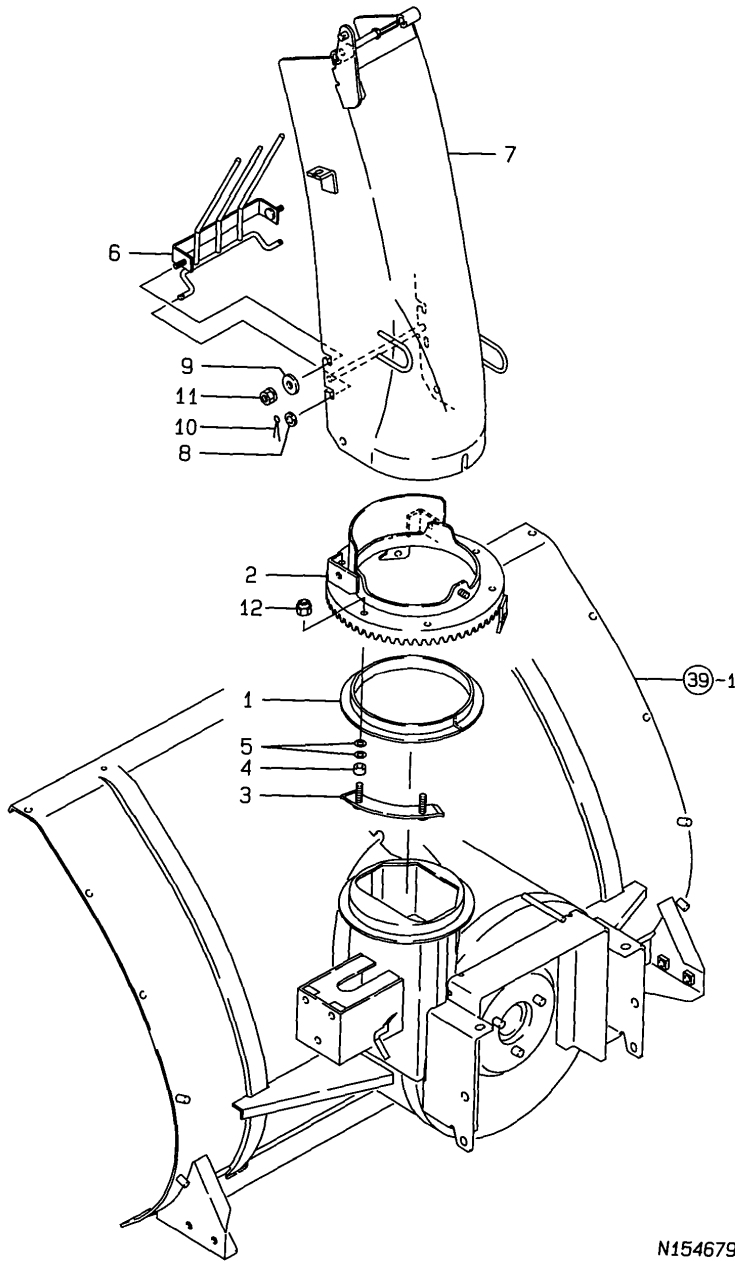
(D)=

(E)=

(F)=

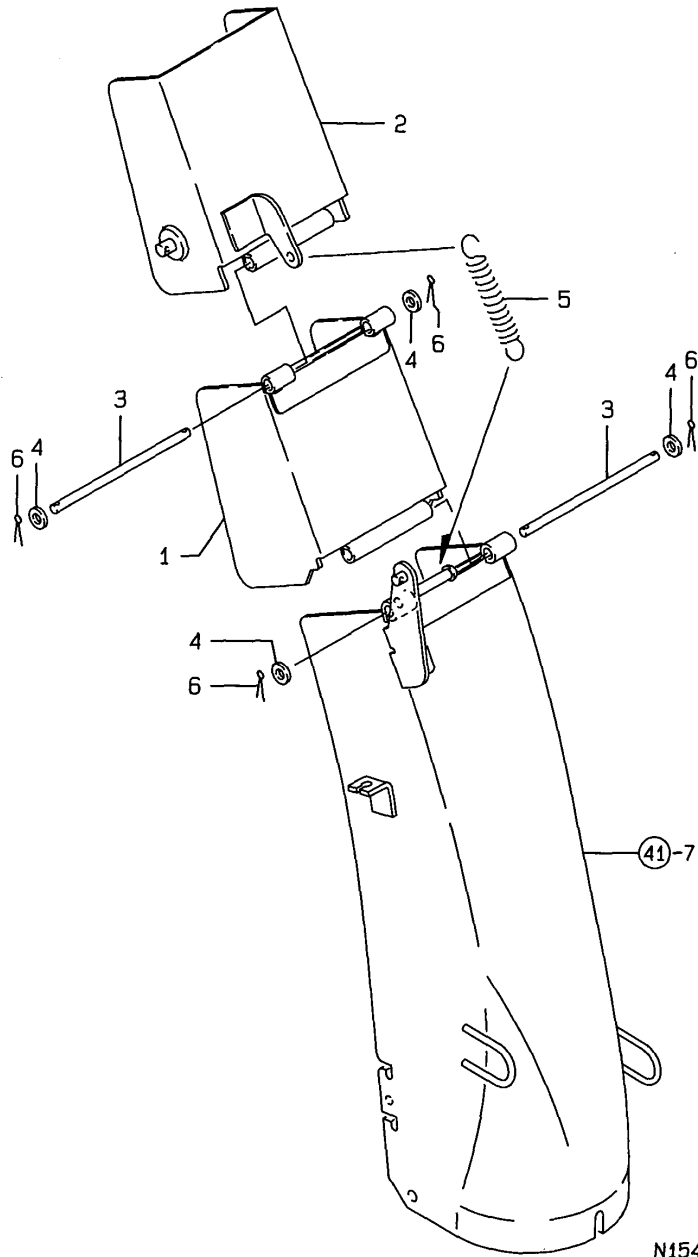
Q'ty

No.	Lev.	Parts No.	Description	Q'ty						I	R
				(A)	(B)	(C)	(D)	(E)	(F)		
1	1	1N3280-73120	PLATE.SWING	1							
2	1	1N3320-73140	SEAT.TRN.SHTR CMP	1							
3	1	1N3280-73201	FITTING.CHUTE	3							
4	1	1N3280-73230	COLLER6.1X12X6.7	6							
5	1	1N3280-73240	SHIM 6.1X12X0.4	12							
6	1	1N3320-73300	GUARD, SAFETY	1							
7	1	7N3290-73500	SHOOTER	1							
8	1	22137-060000	WASHER, 6	2							
9	1	22157-060000	WASHER, 6	2							
10	1	22417-200120	COTTER PIN 2.0X12	2							
11	1	26051-060002	NUT, M6	2							
12	1	26347-060002	NUT, M6	6							



N154679

Fig.42. DEFLECTOR



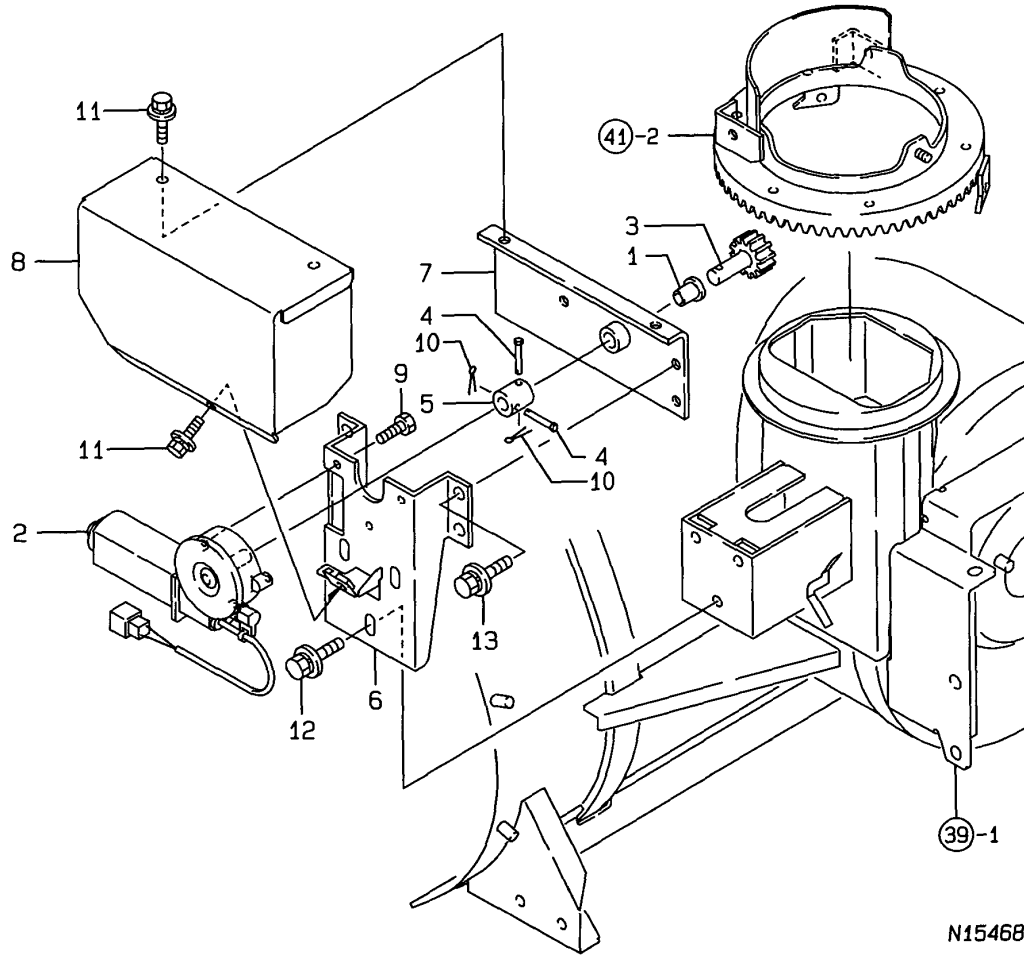
N154680

(A)=YSRA1050EX
(B)=
(C)=

(D)=
(E)=
(F)=

No.	Lev.	Parts No.	Description	Q'ty						I	R
				(A)	(B)	(C)	(D)	(E)	(F)		
1	1	1N3280-73352	DEFLECTOR COMPL.	1							
2	1	1N3280-73401	SUB DEFLECTOR CMP	1							
3	1	1N3280-73450	SHAFT.FLCRM.DEFLECTR	2							
4	1	1N3280-73460	WASHER 7.5X12X1.0	4							
5	1	1N3280-73470	SPRIG.CHUTE	1							
6	1	22417-160160	PIN, COTTER 1.6X16	4							

Fig.43. SHOOTER TURN



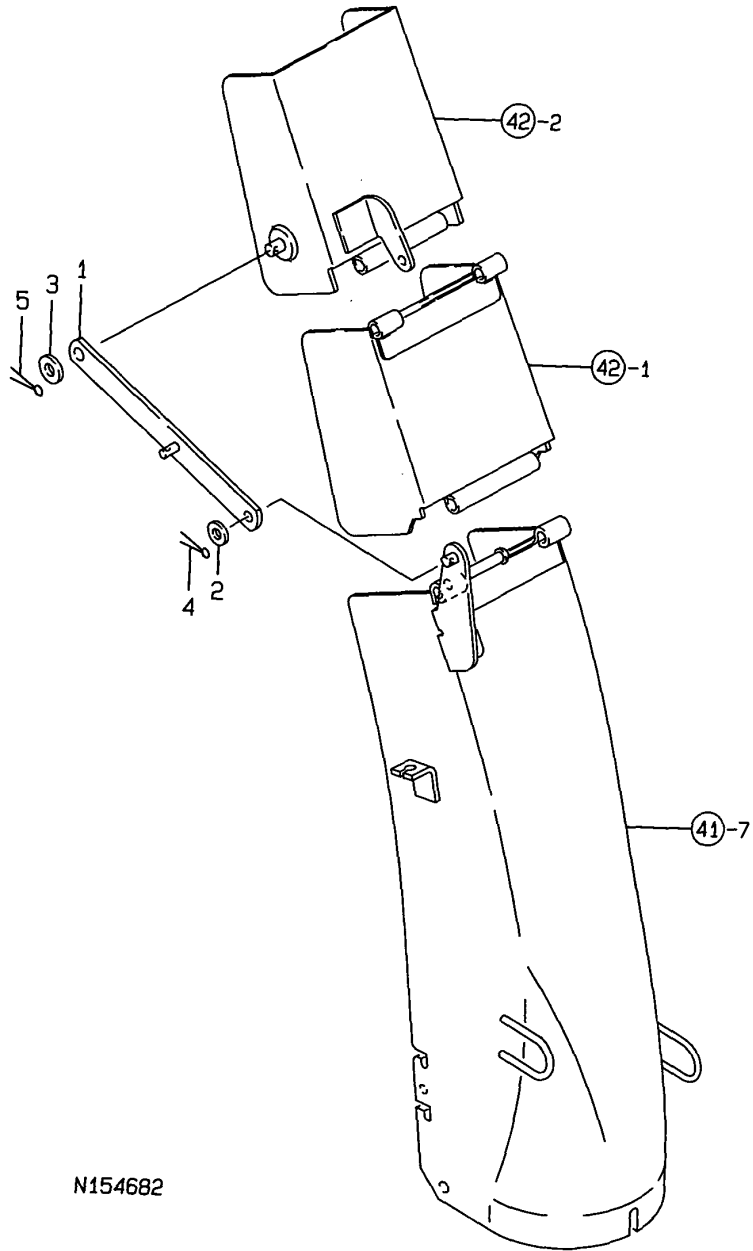
N154681

(A)=YSRA1050EX
(B)=
(C)=

(D)=
(E)=
(F)=

No.	Lev.	Parts No.	Description	Qty						I	R
				(A)	(B)	(C)	(D)	(E)	(F)		
1	1	1N3021-31580	BUSH 10X15,FLANGED	1							
2	1	1N3280-73500	MOTOR TURNING SHOOTR	1							
3	1	1N3280-73510	GEAR8T.TURNING	1							
4	1	1N3280-73520	TINE PIN	2							
5	1	1N3280-73531	JOINT.MOTOR TRN	1							
6	1	1N3280-73552	SEAT MOTOR TURNING	1							
7	1	1N3280-73600	STAY.GEAR TRN CMP	1							
8	1	1N3280-73651	COVER, MOTOR	1							
9	1	1N3280-73740	SCREW 5X14AEX.TAPPNG	3							
10	1	22417-160160	PIN, COTTER 1.6X16	2							
11	1	26018-060122	BOLT M 6X 12	3							
12	1	26018-080204	BOLT M 8X 20	3							
13	1	26018-080204	BOLT M 8X 20	3							

Fig.44. DEFLECTOR DRIVE



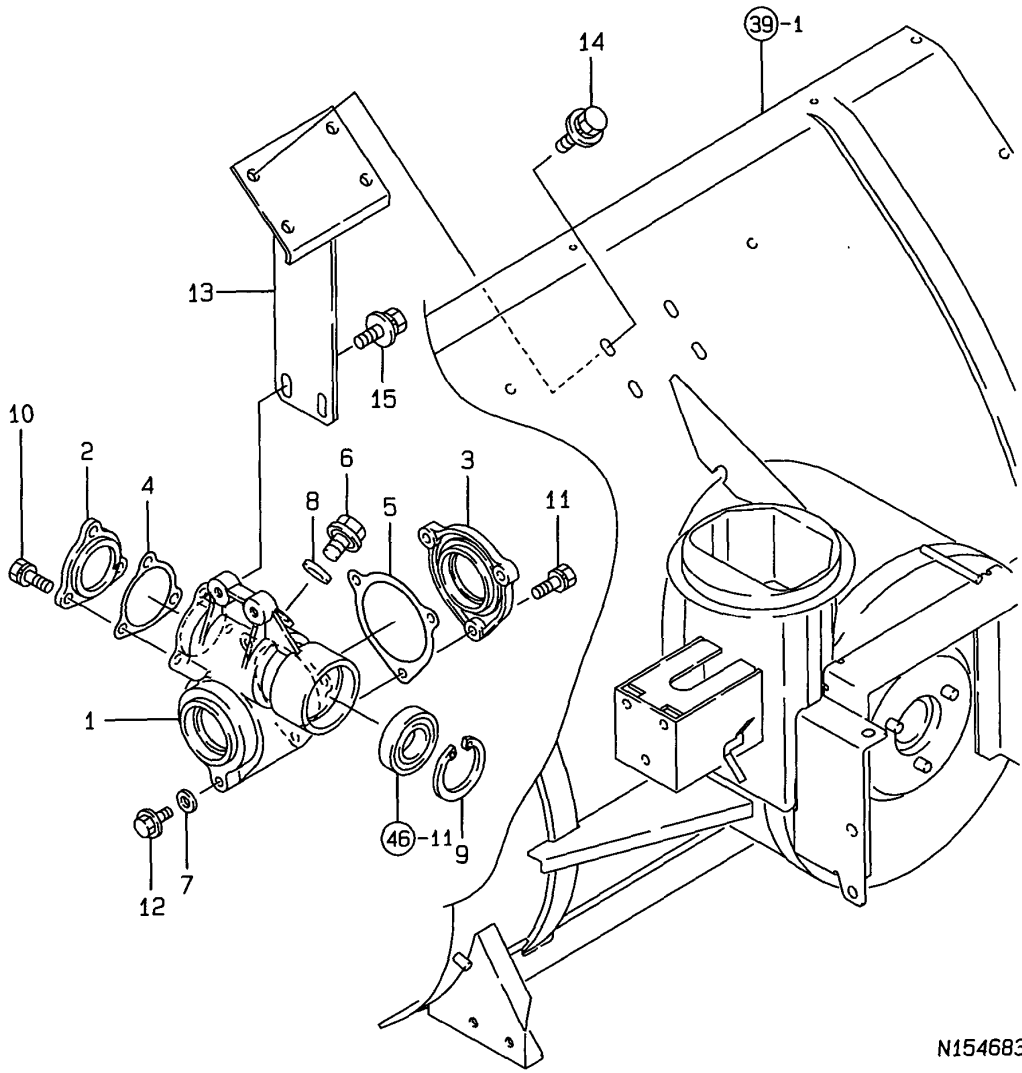
N154682

(A)=YSRA1050EX
(B)=
(C)=

(D)=
(E)=
(F)=

No.	Lev.	Parts No.	Description	Q'ty						I	R
				(A)	(B)	(C)	(D)	(E)	(F)		
1	1	1N3280-73860	ROD A COMPL.	1							
2	1	22137-080000	WASHER, 8	1							
3	1	22137-100000	WASHER, 10	1							
4	1	22417-200160	PIN, COTTER 2.0X16	1							
5	1	22417-300250	PIN, COTTER 3.0X25	1							

Fig.45. GEAR CASE



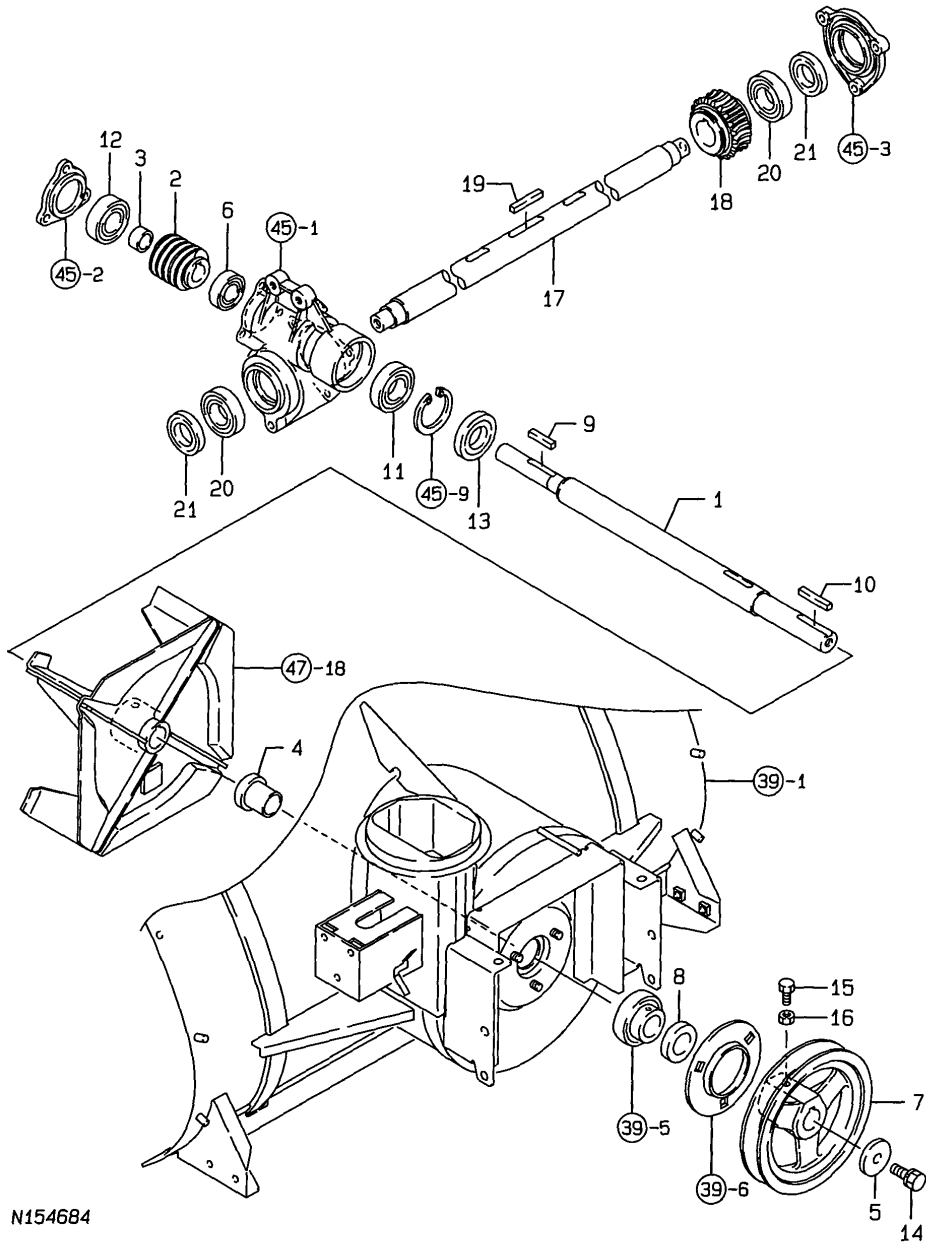
N154683

(A)=YSRA1050EX
(B)=
(C)=

(D)=
(E)=
(F)=

No.	Lev.	Parts No.	Description	Q'ty						I	R
				(A)	(B)	(C)	(D)	(E)	(F)		
1	1	1N3280-74001	CASE.GEAR.SNOWRMV	1							
2	1	1N3280-74010	COVER.KEEP	1							
3	1	1N3280-74020	BEARING AUGER	1							
4	1	1N3280-74030	GASKET (A)	1							
5	1	1N3280-74040	PACKING B	1							
6	1	1N3021-74130	BOLT M14,DRAIN	1							
7	1	22190-080000	WASHER, SEAL 8	1							
8	1	22190-140000	WASHER, SEAL 14	1							
9	1	22252-000550	RING, 55	1							
10	1	26016-080202	BOLT, M8X 20	3							
11	1	26016-080252	BOLT, M8X 25	3							
12	1	26107-080162	BOLT M 8X 16 PLATED	1							
13	1	1N3280-74450	FITTING.CASE CMP	1							
14	1	26018-080202	BOLT, M8X 20	4							
15	1	26018-080252	BOLT, M8X 25	2							

Fig.46. BLOWER SHAFT & AUGER SHAFT



N154684

(A)=YSRA1050EX

(B)=

(C)=

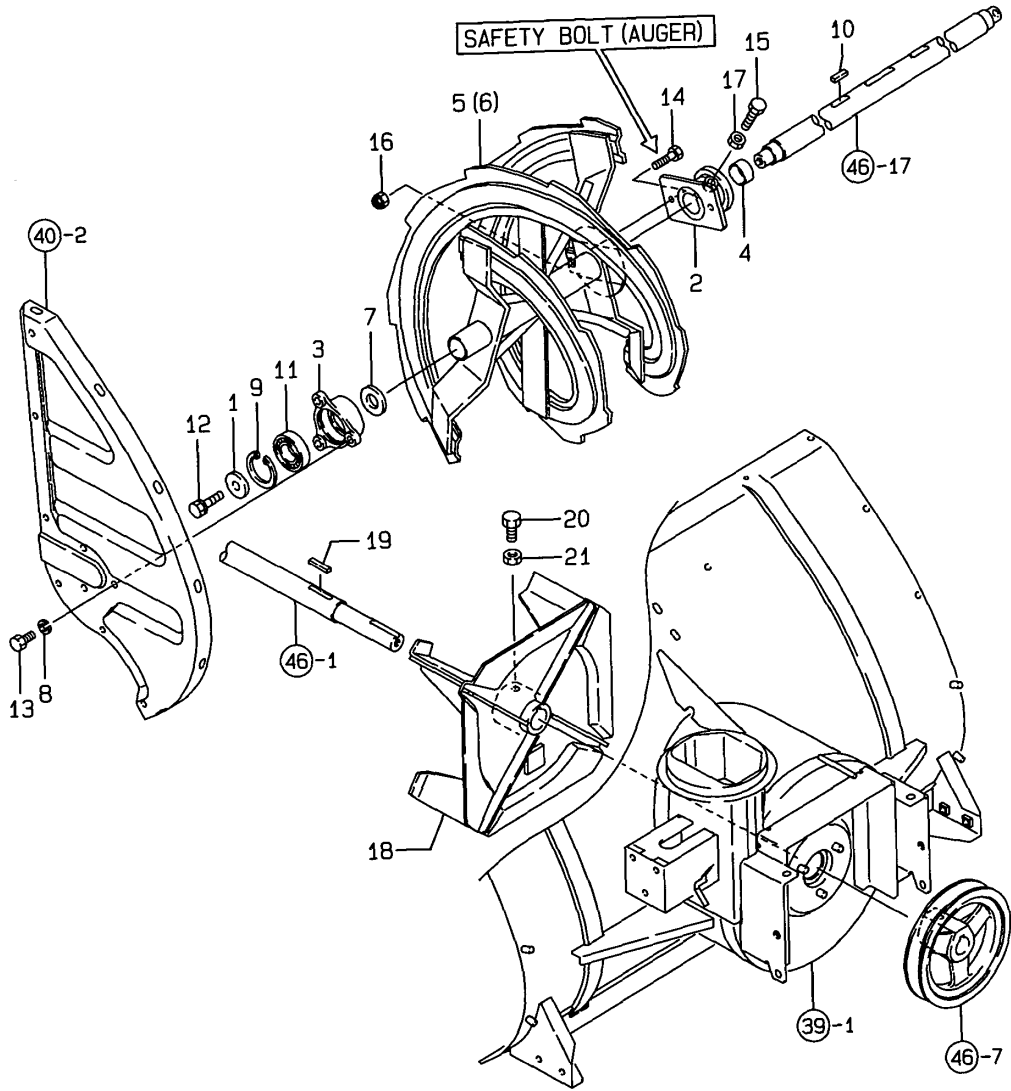
(D)=

(E)=

(F)=

No.	Lev.	Parts No.	Description	Q'ty						I	R
				(A)	(B)	(C)	(D)	(E)	(F)		
1	1	1N3280-74202	SHAFT,BLOWER	1							
2	1	1N1730-74210	WORM 3L2	1							
3	1	1N1730-74220	COLLAR,BLOWER SHAFT	1							
4	1	1N3280-74270	COLLAR 25X30X39	1							
5	1	1N3280-74280	WASHER 11X42X6	1							
6	1	1N1730-74300	BEARING,TAPER ROLLE	1							
7	1	1N3280-74300	PULLEY	1							
8	1	1N3280-74310	COLLAR	1							
9	1	22550-070350	KEY 7X35	1							
10	1	22550-070450	KEY	1							
11	1	24101-060064	BEARING, BALL 6006	1							
12	1	24101-063044	BEARING, BALL 6304	1							
13	1	24421-305512	SEAL, OIL TC305512	1							
14	1	26016-100252	BOLT M10X 25	1							
15	1	26116-080252	BOLT, M8X 25 PLATED	1							
16	1	26717-080002	NUT, M8	1							
17	1	1N3290-74101	SHAFT,AUGER	1							
18	1	1N3280-74112	WHEEL, WORM	1							
19	1	22550-070450	KEY	1							
20	1	24101-062064	BEARING, BALL 6206	2							
21	1	24421-305008	SEAL, OIL TC305008	2							

Fig.47. AUGER & BLOWER



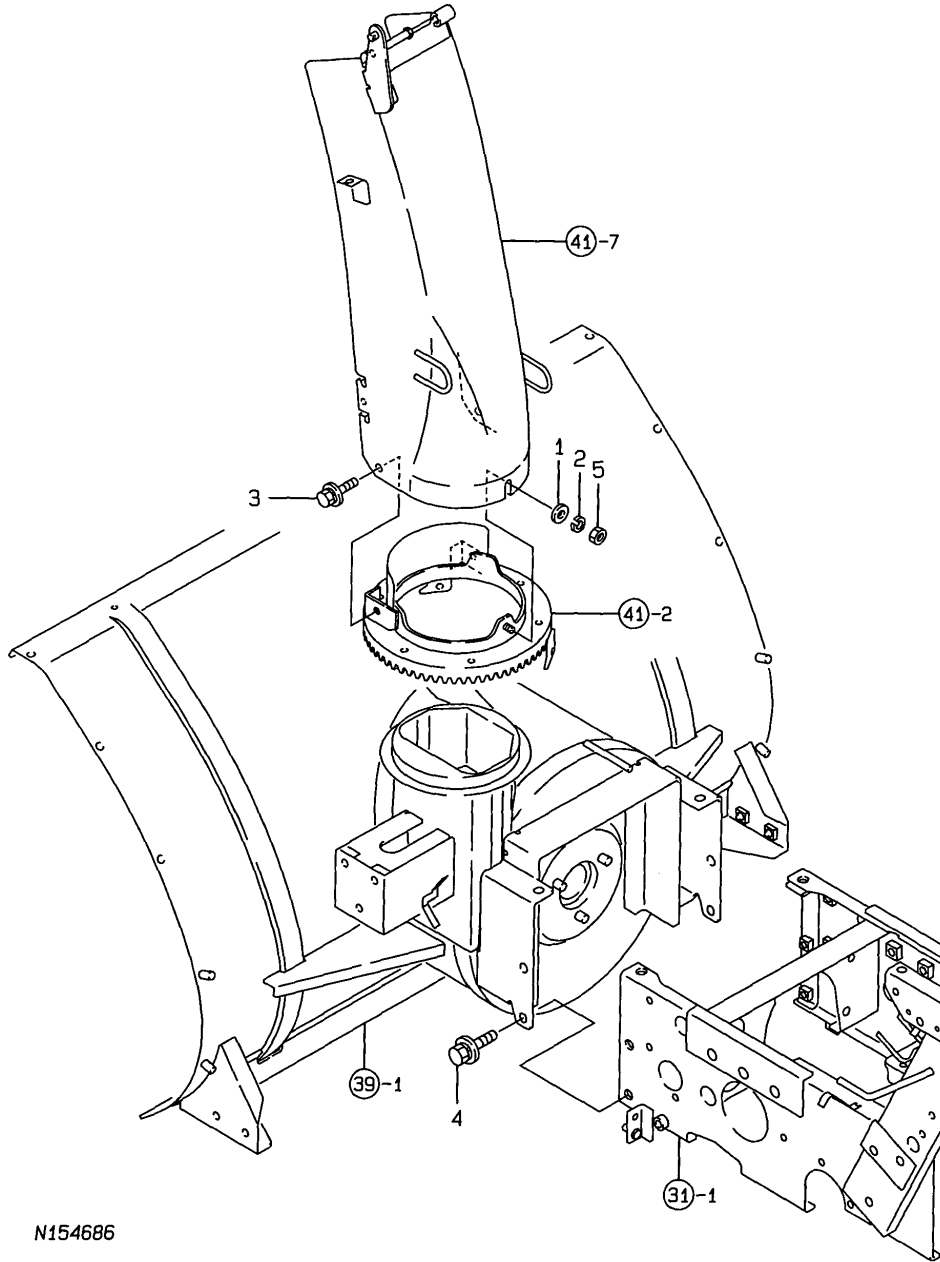
N154685

(A)=YSRA1050EX
(B)=
(C)=

(D)=
(E)=
(F)=

No.	Lev.	Parts No.	Description	Q'ty						I	R
				(A)	(B)	(C)	(D)	(E)	(F)		
1	1	1J3570-33120	COLLAR A 30X4.5	2							
2	1	1N3280-75251	FLANGE	2							
3	1	1N3280-75301	BEARING.52	2							
4	1	1N3280-75350	BUSH 26.2X15	2							
5	1	1N3290-75400	AUGER L	1							
6	1	1N3290-75450	AUGER R	1							
7	1	22137-200000	WASHER, 20	2							
8	1	22217-080000	WASHER, SPRING 8	6							
9	1	22252-000520	RING, 52	2							
10	1	22550-070250	KEY 7X25	2							
11	1	24104-063044	BEARING, BALL 6304UU	2							
12	1	26016-100252	BOLT M10X 25	2							
13	1	26116-080162	BOLT, M8X 16 PLATED	6							
14	1	26116-080352	BOLT, M8X 35 PLATED	2							
15	1	26116-100252	BOLT, M10X 25 PLATED	2							
16	1	26347-080002	NUT, M8	2							
17	1	26717-100002	NUT, M10	2							
18	1	1N3280-76002	BLOWER COMPL	1							
19	1	22550-070350	KEY 7X35	1							
20	1	26116-100252	BOLT, M10X 25 PLATED	1							
21	1	26717-100002	NUT, M10	1							

Fig.48. SNOW REMOVING MOUNTING



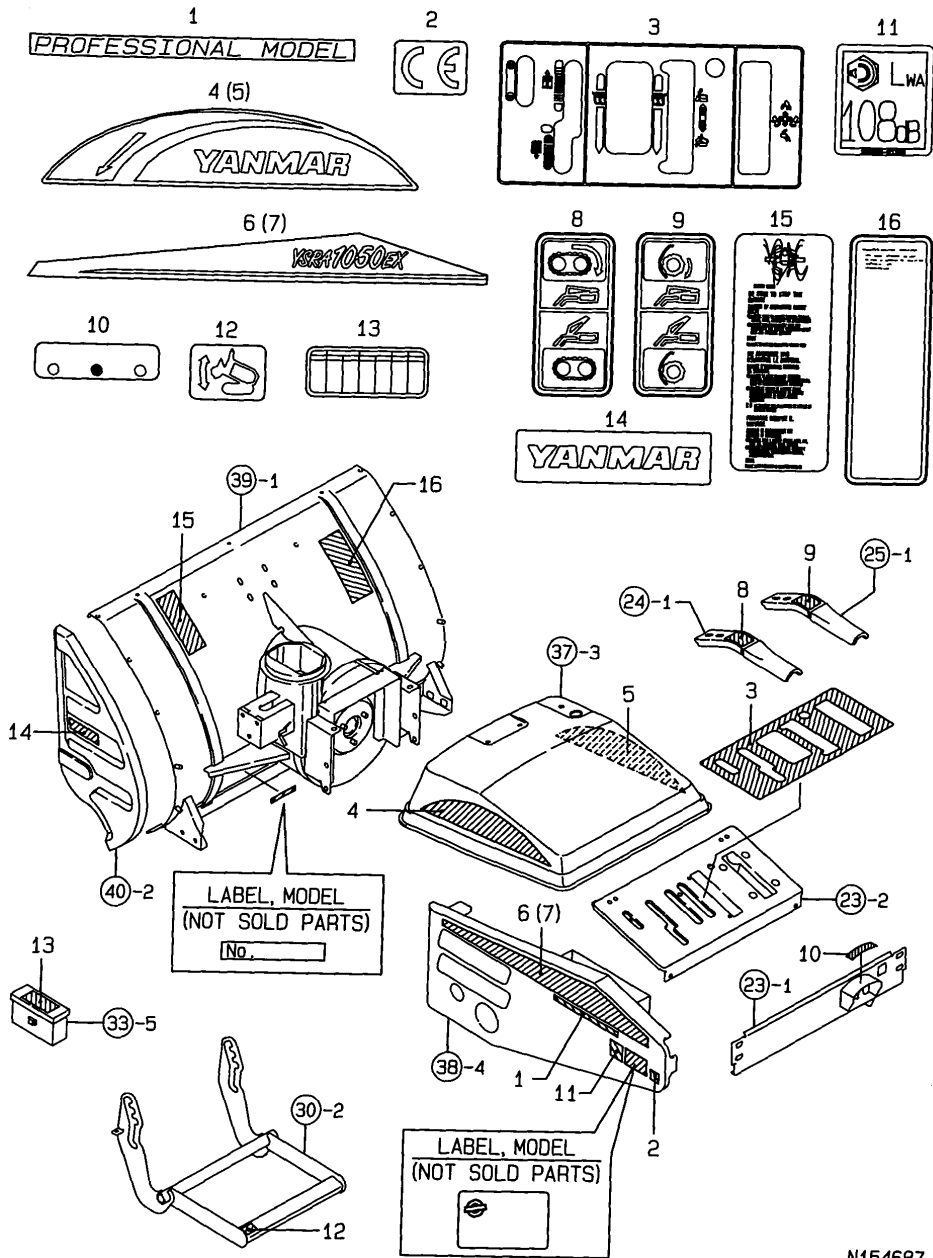
N154686

(A)=YSRA1050EX
(B)=
(C)=

(D)=
(E)=
(F)=

No.	Lev.	Parts No.	Description	Q'ty						I	R
				(A)	(B)	(C)	(D)	(E)	(F)		
1	1	22137-080000	WASHER, 8	1							
2	1	22217-080000	WASHER, SPRING 8	1							
3	1	26014-080162	BOLT, M8X 16	2							
4	1	26014-100252	BOLT, M10X 25	6							
5	1	26717-080002	NUT, M8	1							

Fig.49. LABELS



N154687

(A)=YSRA1050EX

(B)=

(C)=

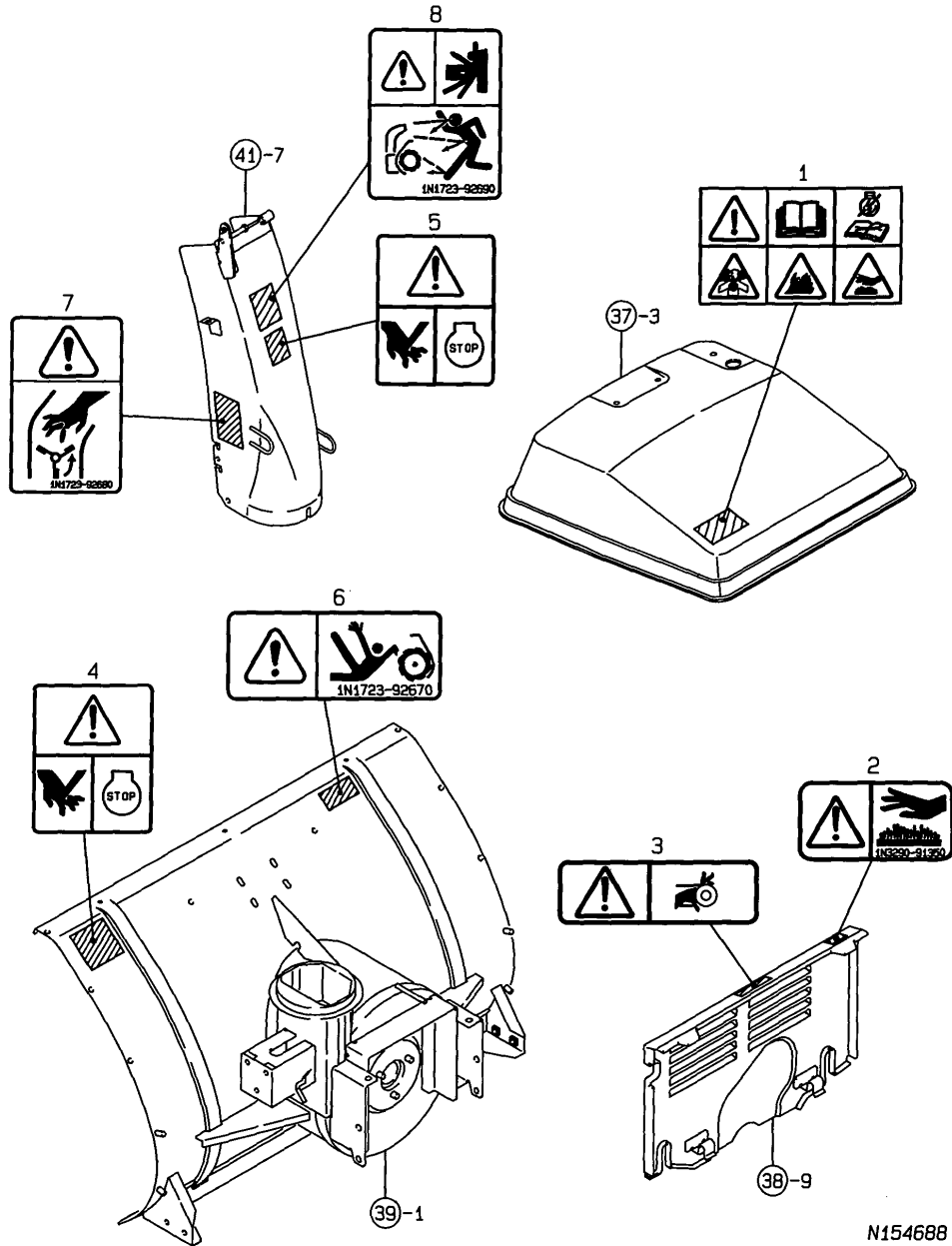
(D)=

(E)=

(F)=

No.	Lev.	Parts No.	Description	Q'ty						I	R
				(A)	(B)	(C)	(D)	(E)	(F)		
1	1	1N1730-67270	MARK,PROFESSIONAL	2							
2	1	1E1061-86610	MARK "CE"	1							
3	1	1N3290-91020	LABEL,PANEL,CONTROL	1							
4	1	1N3280-91050	MARK L,BONNET	1							
5	1	1N3280-91060	MARK R,BONNET	1							
6	1	1N3290-91080	LABEL (YSRA1050	1							
7	1	1N3290-91090	LABEL (YSRA1050	1							
8	1	1N3021-91100	MARK,TRAVEL CLUTCH	1							
9	1	1N3021-91110	MARK,SNOW REM.CLUTCH	1							
10	1	1N3320-91300	MARK(KEY SWITCH)	1							
11	1	1N3320-91320	LABEL,SOUND	1							
12	1	1N3290-91360	LABEL,PEDAL,FOOT	1							
13	1	1N3290-91880	LABEL,FUSE	1							
14	1	1N1711-68190	MARK C "YANMAR"	2							
15	1	1N3300-91200	LABEL,BOLT REPLACE	1							
16	1	1N1713-92570	LABEL CAUTION	1							

Fig.50. LABELS(SAFETY)



N154688

(A)=YSRA1050EX
(B)=
(C)=

(D)=
(E)=
(F)=

No.	Lev.	Parts No.	Description	Q'ty						I	R
				(A)	(B)	(C)	(D)	(E)	(F)		
1	1	1Q0140-91050	MARK,CAUTION	1							
2	1	1N3290-91350	CAUTION,MUFFLER	1							
3	1	1W4909-92310	CAUTION,BELT,COVWR	1							
4	1	1W4909-92360	CAUTION,ENGINE,STOP	1							
5	1	1W4909-92360	CAUTION,ENGINE,STOP	1							
6	1	1N1723-92670	DANGER,SNW.REMV.UNIT	1							
7	1	1N1723-92680	WARNING,SHOOTER	1							
8	1	1N1723-92690	WARNING,SCATTERINGS	1							

Fig.51. TOOLS & ACCESSORIES

(A)=YSRA1050EX

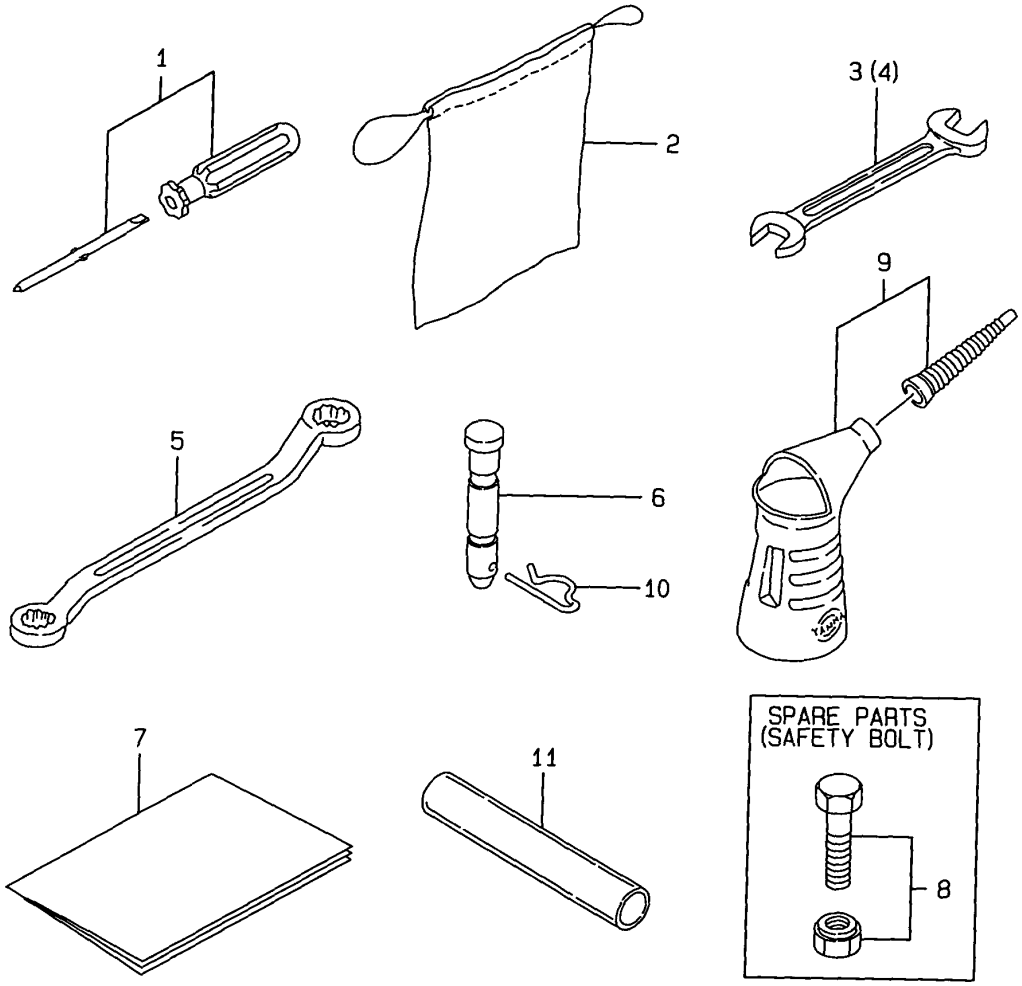
(B)=

(C)=

(D)=

(E)=

(F)=



No.	Lev.	Parts No.	Description	Qty						I	R	
				(A)	(B)	(C)	(D)	(E)	(F)			
1	1	1A1290-82050	SCREWDRIVER,COMBINAT	1								
2	1	1E6511-98910	BAG, TOOL	1								
3	1	28110-120140	SPANNER, 12X14	1								
4	1	28110-170190	SPANNER, 17X19	1								
5	1	28160-100120	WRENCH, 10X12	1								
6	1	1N1730-38191	PIN 10X55,AXLE	4								
7	1	1N3290-96150	MANUAL	1								
8	1	1N3280-96900	SAFETY BT8X35(WTH NT	1								1
9	1	7E4133-99290	JUG ASSY, OIL	1								
10	1	22372-100000	PIN, SNAP 10	4								
11	1	23061-140200	PIPE, 14X 200	1								

N154689

Remarks

(1) IT IS A SPARE PART FOR SAFETY BOLT, GROUP NO.47, REF. NO.14.

Parts No. Index

Parts No.	Fig. No.	Ref. No.
103338-32570	6	8
103854-55220	9	9
104211-11370	3	14
		27
105025-01220	1	8
105225-66990	6	45
105300-23200	5	41
105300-55080	9	11
105425-01690	1	37
		38
105546-51020	8	2
105546-51330	8	13
106990-44660	9	23
114250-01800	1	15
114250-01830	1	24
114250-01841	1	25
114250-03591	3	36
114250-03640	3	39
114250-07090	2	2
114250-07111	2	3
114250-11240	3	20
		25
114250-11460	3	15
114250-11901	3	28
114250-12300	4	11
114250-32070	6	7
114250-35100	6	11
114250-35250	6	14
114250-35271	6	15
114250-45301	7	7
114250-45310	7	8
114250-51080	8	3
114250-51160	8	9
114250-51340	8	14
114250-51600	8	16
114250-51640	8	17
114250-51650	8	18
114250-53080	8	25
114250-53120	8	26
114250-53130	8	27
114250-53140	8	28
114250-53210	8	29
114250-53331	8	33
114250-53400	8	34
114250-55100	9	6
114250-55121	9	12
114250-55130	9	13
114250-55201	9	8
114250-55301	9	16
114250-66200	6	34

Parts No.	Fig. No.	Ref. No.
114250-66440	6	44
114250-92101	2	6
114250-92130	2	7
114252-12410	4	4
114252-12550	4	10
114252-12560	4	9
114252-66252	6	43
114268-59061	9	24
114268-66200	6	42
114270-01600	1	26
114288-55041	9	3
114288-55081	9	5
114299-01950	1	41
114299-02030	1	48
114299-55210	9	14
114350-01700	1	6
114350-11470	3	16
114350-45320	7	2
114350-45340	7	3
114351-77020	10	1
114351-77570	10	13
114351-78290	10	31
114351-78830	10	32
114351-78840	10	33
114362-77600	10	17
114362-77650	10	18
114370-45351	7	10
114385-77400	10	27
114650-01230	1	9
114650-01240	1	10
114650-01250	1	11
114650-01260	1	12
114650-01380	1	14
114650-01412	1	30
114650-01453	1	31
114650-02100	1	34
114650-02150	1	49
114650-02200	1	55
114650-02210	1	56
114650-11011	3	1
114650-11100	3	6
114650-11121	3	8
114650-11261	3	12
114650-11311	3	33
114650-11340	3	13
114650-11600	3	17
114650-11652	3	18
114650-11951	3	34
114650-12211	4	1
		27

Parts No.	Fig. No.	Ref. No.
114650-12301	4	13
114650-12530	4	5
114650-12550	4	8
114650-12590	4	6
114650-13201	4	17
114650-14200	5	6
114650-14401	5	8
114650-21551	5	21
114650-32010	6	1
114650-45201	7	1
114650-45330	7	9
114650-51300	8	10
114650-53000	8	22
114650-53300	8	30
114650-55150	9	7
114650-55810	9	18
114650-59060	9	28
114650-59801	9	31
114650-59850	9	32
114650-92300	2	13
114650-92310	2	14
114650-92350	2	15
114651-21593	5	22
114651-21601	5	25
114652-01950	1	42
114652-12220	4	28
114652-12230	4	29
114652-59100	9	26
114652-59300	9	25
114652-59310	9	30
114652-66150	6	47
114652-66891	6	50
114654-11110	3	7
114654-66140	6	41
114658-45102	7	6
114699-01760	1	39
114699-12020	4	12
114699-22300	5	35
114699-55230	9	15
114770-61520	6	32
114770-61600	6	37
114770-61610	6	38
114771-14260	5	7
114888-66560	6	35
114970-01340	1	13
114970-13710	4	22
114970-51100	8	4
114970-66020	6	33
114973-13552	4	18
114973-13562	4	20

Parts No.	Fig. No.	Ref. No.
114973-13710	4	23
114973-66880	6	48
119620-11180	3	9
119650-77910	36	7
119660-77710	10	28
121750-59890	9	29
122710-01220	5	20
124060-23100	5	40
124465-44950	1	44
124550-51350	8	15
124722-59050	9	27
129100-77500	4	30
129100-77510	4	31
129107-44900	1	43
129107-77900	36	6
129792-22400	5	36
135210-61090	6	54
160260-01580	4	19
160710-78710	10	34
160991-07260	2	5
172122-46590	27	15
183279-08350	1	57
183382-13700	4	21
183720-55210	7	4
192010-24160	19	1
192110-24031	32	1
194550-27030	13	3
198071-65610	38	10
198072-05161	38	1
198072-05261	38	2
198360-52160	34	7
198360-52320	34	5
198360-52330	34	6
198435-51310	33	4
1A1030-26250	17	3
1A1030-77050	30	17
1A1040-26060	18	2
1A1040-26290	17	4
1A1040-46460	22	4
1A1040-58170	22	5
1A1290-82050	51	1
1C6210-13340	16	1
1C6281-52310	28	9
	37	2
1C6281-52320	24	11
	25	17
		18
		19
	27	16
	28	10

Parts No. Index

Parts No.	Fig. No.	Ref. No.
1D4111-17400	33	1
1D4160-52480	11	7
	24	12
	25	20
1D4180-17300	34	1
1E1031-41450	14	11
1E1061-86610	49	2
1E4060-26430	30	1
1E4060-74090	19	9
1E4060-99331	26	14
1E4110-24010	27	1
1E4130-74010	16	13
1E4351-66400	25	23
1E6070-56270	35	10
1E6071-53360	18	7
1E6150-51902	14	13
1E6150-61310	22	6
	26	9
1E6150-83910	11	8
	33	18
1E6251-32530	38	3
1E6366-81370	35	4
1E6390-95490	13	5
1E6460-63240	24	13
	25	21
	27	17
	28	11
1E6511-98910	51	2
1E6570-64751	27	18
1E6570-64760	26	13
1E6570-65751	29	9
1E6570-73201	13	4
1E6690-82070	36	8
1E6691-81250	35	3
1E6910-82500	36	9
1E6910-83500	37	12
1E7030-51301	14	12
1E7043-45180	38	14
1E8235-84910	33	9
1E8350-52220	17	5
1E8350-52270	17	6
1E8400-63791	26	10
1E8400-63820	26	11
1E8450-83120	33	7
1E8490-54060	21	7
1E8490-54070	21	8
1E8490-64261	24	14
	25	22
1E8490-74700	27	19
	29	10

Parts No.	Fig. No.	Ref. No.
1E8490-84130	33	8
		16
1E8600-64220	26	12
1E8665-83100	33	14
1J3570-33120	47	1
1N1710-71062	39	2
1N1710-71071	39	3
1N1711-68190	49	14
1N1713-92570	49	16
1N1723-92670	50	6
1N1723-92680	50	7
1N1723-92690	50	8
1N1730-00890	11	3
1N1730-21260	16	9
1N1730-25112	19	4
1N1730-25210	19	6
1N1730-25540	19	7
1N1730-31451	14	9
		10
1N1730-31870	26	8
1N1730-35070	30	3
1N1730-35090	30	4
1N1730-35361	30	10
1N1730-35392	30	11
1N1730-35570	30	15
1N1730-38183	32	4
1N1730-38191	32	5
	51	6
1N1730-38250	32	7
1N1730-38290	32	9
1N1730-38351	32	11
1N1730-51051	33	2
1N1730-51071	33	3
1N1730-51131	35	2
1N1730-51451	35	9
1N1730-51910	34	2
1N1730-61190	37	8
1N1730-67270	49	1
1N1730-74210	46	2
1N1730-74220	46	3
1N1730-74300	46	6
1N3021-23051	21	1
1N3021-23060	21	2
1N3021-23070	21	3
1N3021-31580	43	1
1N3021-74130	45	6
1N3021-91100	49	8
1N3021-91110	49	9
1N3280-00111	11	1
1N3280-00160	11	2

Parts No.	Fig. No.	Ref. No.
1N3280-01113	12	1
1N3280-01510	11	4
1N3280-01512	11	4 -1
1N3280-01550	11	5
1N3280-02111	11	6
1N3280-02500	13	1
1N3280-02700	13	2
1N3280-11002	14	1
1N3280-11100	14	3
1N3280-11251	14	6
1N3280-11351	14	7
1N3280-11371	14	8
1N3280-12010	15	1
1N3280-12150	15	2
1N3280-12250	15	3
1N3280-12380	15	5
1N3280-21011	16	2
1N3280-21330	16	8
1N3280-21360	16	10
1N3280-21400	16	11
1N3280-22050	17	1
1N3280-22100	17	2
1N3280-23011	18	1
1N3280-23051	18	4
1N3280-23220	18	6
1N3280-25000	19	2
1N3280-25120	19	5
1N3280-26200	20	1
1N3280-26220	20	2
1N3280-26230	20	3
1N3280-26301	20	4
1N3280-28010	21	4
1N3280-28030	21	5
1N3280-28510	21	6
1N3280-30010	22	1
1N3280-30310	22	2
1N3280-30321	22	3
1N3280-30471	23	1
1N3280-30901	23	6
		7
	37	1
1N3280-31011	24	1
	25	1
1N3280-31050	24	2
1N3280-31081	24	3
1N3280-31111	24	4
1N3280-31210	24	6
	25	2
	27	2
	28	1

Parts No.	Fig. No.	Ref. No.
1N3280-31220	24	7
	25	3
	28	2
1N3280-31230	24	8
1N3280-31251	24	9
1N3280-31311	25	4
1N3280-31350	25	5
1N3280-31381	25	6
1N3280-31411	25	7
1N3280-31441	25	8
1N3280-31450	25	9
1N3280-31473	25	10
1N3280-31480	25	11
1N3280-31490	25	12
1N3280-31500	26	1
1N3280-31550	26	2
1N3280-31570	26	3
1N3280-31600	26	4
1N3280-31650	26	5
1N3280-31801	25	13
1N3280-31840	25	14
1N3280-31950	25	15
1N3280-31990	24	10
	25	16
	27	3
	28	3
1N3280-32050	27	4
	29	1
1N3280-32062	27	5
	29	2
1N3280-32081	27	6
1N3280-32102	27	7
1N3280-32210	27	10
1N3280-32230	27	11
1N3280-33170	28	6
1N3280-33201	28	7
1N3280-36711	31	2
1N3280-36950	31	3
1N3280-38210	32	6
1N3280-38510	32	12
1N3280-51601	33	13
1N3280-51652	33	15
1N3280-51700	33	17
1N3280-51800	33	6
1N3280-52110	34	3
1N3280-52150	34	4
1N3280-53113	35	1
1N3280-55100	36	5
1N3280-55711	36	1
1N3280-55811	36	2

Parts No. Index

Parts No.	Fig. No.	Ref. No.
1N3280-61110	37	4
1N3280-61121	37	5
1N3280-61130	37	6
1N3280-61180	37	7
1N3280-61212	38	4
1N3280-61290	38	5
1N3280-61312	38	6
1N3280-61350	38	7
1N3280-61360	38	8
1N3280-61460	37	9
1N3280-61490	37	10
1N3280-61513	38	15
1N3280-61601	37	11
1N3280-71270	39	5
1N3280-71280	39	6
1N3280-71501	39	7
1N3280-73120	41	1
1N3280-73201	41	3
1N3280-73230	41	4
1N3280-73240	41	5
1N3280-73352	42	1
1N3280-73401	42	2
1N3280-73450	42	3
1N3280-73460	42	4
1N3280-73470	42	5
1N3280-73500	43	2
1N3280-73510	43	3
1N3280-73520	43	4
1N3280-73531	43	5
1N3280-73552	43	6
1N3280-73600	43	7
1N3280-73651	43	8
1N3280-73740	43	9
1N3280-73860	44	1
1N3280-74001	45	1
1N3280-74010	45	2
1N3280-74020	45	3
1N3280-74030	45	4
1N3280-74040	45	5
1N3280-74112	46	18
1N3280-74202	46	1
1N3280-74270	46	4
1N3280-74280	15	7
	46	5
1N3280-74300	46	7
1N3280-74310	46	8
1N3280-74450	45	13
1N3280-75251	47	2
1N3280-75301	47	3
1N3280-75350	47	4

Parts No.	Fig. No.	Ref. No.
1N3280-76002	47	18
1N3280-91050	49	4
1N3280-91060	49	5
1N3280-96900	51	8
1N3290-11121	14	4
1N3290-11221	14	5
1N3290-12310	15	4
1N3290-12821	15	6
1N3290-21100	16	3
1N3290-21200	16	4
1N3290-21300	16	5
1N3290-21320	16	7
1N3290-21410	16	12
1N3290-23211	18	5
1N3290-25810	19	8
1N3290-30501	23	2
1N3290-30700	23	3
1N3290-30711	23	4
1N3290-30751	23	5
1N3290-31131	24	5
1N3290-31701	26	6
1N3290-31751	26	7
1N3290-32120	27	8
1N3290-32170	27	9
	29	3
1N3290-32250	27	12
1N3290-32451	27	14
1N3290-33101	28	4
1N3290-34110	29	4
1N3290-34151	29	5
1N3290-34191	29	6
1N3290-34230	29	7
1N3290-34250	29	8
1N3290-35011	30	2
1N3290-35200	30	5
1N3290-35250	30	6
1N3290-35271	30	7
1N3290-35300	30	8
1N3290-35350	30	9
1N3290-35500	30	12
1N3290-35510	30	13
1N3290-35540	30	14
1N3290-36011	31	1
1N3290-38010	32	2
1N3290-38150	32	3
1N3290-38320	32	10
1N3290-51400	33	5
1N3290-52301	34	8
1N3290-71200	39	4
1N3290-71422	40	13

Parts No.	Fig. No.	Ref. No.
1N3290-74101	46	17
1N3290-75400	47	5
1N3290-75450	47	6
1N3290-91020	49	3
1N3290-91080	49	6
1N3290-91090	49	7
1N3290-91350	50	2
1N3290-91360	49	12
1N3290-91880	49	13
1N3290-96150	51	7
1N3300-91200	49	15
1N3320-33500	28	8
1N3320-71290	40	1
1N3320-71300	40	2
1N3320-71310	40	3
1N3320-71350	40	4
1N3320-71360	40	5
1N3320-73140	41	2
1N3320-73300	41	6
1N3320-91300	49	10
1N3320-91320	49	11
1Q0140-91050	50	1
1W4909-92310	50	3
1W4909-92360	50	4
		5
22117-080000	9	19
22117-200000	30	18
22137-060000	28	12
	29	11
	37	13
	39	8
	41	8
22137-080000	6	39
	14	14
	24	15
		16
	25	24
		25
		26
		27
	27	20
	28	13
	35	7
	40	6
		7
		14
	44	2
	48	1
22137-100000	26	15
	29	12

Parts No.	Fig. No.	Ref. No.
22137-100000	30	19
	39	9
	44	3
22137-120000	14	15
22137-130000	25	28
22137-200000	47	7
22157-060000	41	9
22190-080000	45	7
22190-140000	45	8
22190-160002	1	46
		47
		58
22207-025230	16	14
22217-050000	35	11
22217-060000	33	19
22217-080000	14	16
	21	10
		11
	28	14
	47	8
	48	2
22217-100000	21	12
22242-000120	14	17
	30	20
22242-000130	26	16
22242-000140	17	7
22242-000150	14	18
		19
	16	15
	27	21
22242-000250	20	5
	32	13
22252-000471	16	16
22252-000520	32	14
	47	9
22252-000550	45	9
22272-000100	24	17
	25	29
		30
22312-030160	3	41
	6	9
22322-030200	6	25
22351-020006	8	19
22351-030008	8	20
22351-040008	3	29
22351-050032	14	20
		21
22372-060000	29	13
	35	12
22372-080000	14	22

Parts No. Index

Parts No.	Fig. No.	Ref. No.
22372-100000	26	17
	29	14
	30	21
	32	15
	51	10
22417-160160	42	6
	43	10
22417-200120	41	10
22417-200160	44	4
22417-200200	24	18
	25	31
22417-300250	44	5
22417-400320	30	22
22451-060000	6	55
22487-100300	30	23
22512-050140	5	26
22550-070250	47	10
22550-070350	46	9
	47	19
22550-070450	46	10
		19
22551-050301	15	8
22551-050400	30	24
22551-070350	15	9
22697-480321	38	16
23000-025000	21	13
23000-048000	11	9
23061-140200	51	11
23414-080000	9	10
	18	8
23490-100002	18	9
23876-010000	6	40
24101-060054	16	17
24101-060064	46	11
24101-062024	16	18
24101-062034	5	49
24101-062064	46	20
24101-062070	1	50
24101-063034	5	66
24101-063044	46	12
24104-062044	19	10
24104-062054	19	11
	32	16
24104-063044	47	11
24162-152112	1	51
24311-000120	20	6
24311-000180	1	45
24311-000210	20	7
24321-000550	21	14
24341-000150	9	17

Parts No.	Fig. No.	Ref. No.
24341-000224	6	13
24421-153007	16	19
24421-254708	16	20
	19	12
24421-305008	46	21
24421-305512	46	13
24423-355008	1	52
		53
24550-010120	16	6
24550-012100	14	2
24550-015150	27	13
	28	5
24550-020200	19	3
24550-025250	32	8
25123-004301	15	10
26013-060102	11	10
26013-080162	11	11
26013-080252	11	12
	18	10
		11
26013-080402	19	13
26013-080502	19	14
	31	4
26013-080602	19	15
26013-080652	31	5
26013-100252	15	11
26013-100452	22	7
26014-060122	36	10
		11
		11
	37	14
26014-060162	26	18
	33	20
	37	15
26014-060202	36	12
26014-060252	36	13
26014-080162	15	12
		13
	23	8
	33	21
	36	3
		4
	38	11
		12
		13
	48	3
26014-080202	21	15
	23	9
	24	19
		20
		20
	25	32

Parts No.	Fig. No.	Ref. No.
26014-080202	26	19
	27	22
		23
	38	17
26014-080252	27	24
	29	15
26014-100252	12	2
	31	6
	32	17
	48	4
26014-100452	12	3
26016-080202	45	10
26016-080252	45	11
26016-100252	46	14
	47	12
26018-060122	43	11
26018-080164	40	8
26018-080202	39	10
	45	14
26018-080204	43	12
		13
26018-080252	45	15
26022-060162	17	8
26051-060002	39	11
		12
	41	11
26051-080002	39	13
	40	9
		10
		15
26051-100002	39	14
26106-060122	6	16
		51
	10	29
		35
26106-060202	7	5
	10	30
		36
26106-060252	4	14
26106-060302	6	46
26106-060702	3	44
26106-080122	1	54
		18
	18	12
26106-080182	4	24
26106-080352	1	36
26106-080402	4	32
26106-080452	9	20
26106-100122	1	7
26106-100302	10	26
26106-100552	3	30

Parts No.	Fig. No.	Ref. No.
26107-080162	45	12
26116-050162	35	13
26116-060352	13	6
26116-060454	2	9
26116-080162	40	11
	47	13
26116-080252	46	15
26116-080352	47	14
26116-080454	2	10
26116-080904	28	15
26116-081202	21	16
26116-100252	47	15
		20
26117-060122	39	15
26117-060162	39	16
26216-080182	4	25
26226-060142	4	15
		33
26226-060182	1	27
26226-060222	1	28
26226-060502	3	31
26226-060752	4	16
26226-080402	18	3
26306-080002	4	26
26347-060002	41	12
26347-080002	47	16
26366-060002	1	29
	3	32
	4	34
	9	21
26367-060002	23	10
26367-080002	15	14
	19	16
	24	21
	25	33
	27	25
		26
26476-060142	6	10
		52
	9	22
26487-080202	39	17
	40	12
26577-060142	10	37
26577-080202	40	16
26707-120002	32	18
26716-060002	2	11
26716-080002	2	12
	10	38
26717-060002	13	7
	33	22

Parts No. Index

Parts No.	Fig. No.	Ref. No.
26717-080002	15	15
	20	8
	21	17
	24	22
	25	34
		35
	27	27
	28	16
	30	25
	35	8
	46	16
	48	5
26717-100002	13	8
	21	18
	26	20
	27	28
	29	16
	32	19
	47	17
		21
26737-120002	30	16
26757-060002	6	53
26776-100002	6	36
26856-060002	3	21
		26
26956-080202	20	9
26956-080252	15	16
26956-100352	32	20
26966-080252	30	26
27260-150000	18	13
27310-070001	3	10
28110-120140	51	3
28110-170190	51	4
28160-100120	51	5
29220-083200	35	6
29420-050000	33	10
29420-100000	33	11
29420-300000	33	12
714650-23600	5	42
714650-23610	5	62
714650-23620	5	64
714650-23700	5	37
714650-53100	8	21
714650-55701	9	1
714651-61500	6	17
714653-12560	4	2
714670-11660	3	22
714679-14670	5	1
714679-21710	5	12
714685-61700	6	26

Parts No.	Fig. No.	Ref. No.
714970-01560	1	1
714970-22500	5	29
714970-22540	5	52
714970-22550	5	58
714970-22580	5	56
714970-22620	5	50
714970-22720	5	27
714970-28511	5	44
714970-51701	8	1
7E4133-99290	51	9
7E6366-81350	35	5
7N3290-61010	37	3
7N3290-61410	38	9
7N3290-71500	39	1
7N3290-73500	41	7
933152-07400	21	9
X211415502	10	3
X211425502	10	4
X211425506	10	22
X21142742	10	25
X21142867	10	16
X211429006	10	21
X21143215	10	6
X211435502	10	23
X211435552	10	19
X211442003	10	5
X211449007	10	8
X211451007	10	2
X211455502	10	24
X21145866	10	15
X211459002	10	9
X211465008	10	20
X211468005	10	14
X211469002	10	7
X211476012	10	12
X211483003	10	11
X21148314	10	10

Parts No.	Fig. No.	Ref. No.
-----------	----------	----------

Parts No.	Fig. No.	Ref. No.
-----------	----------	----------